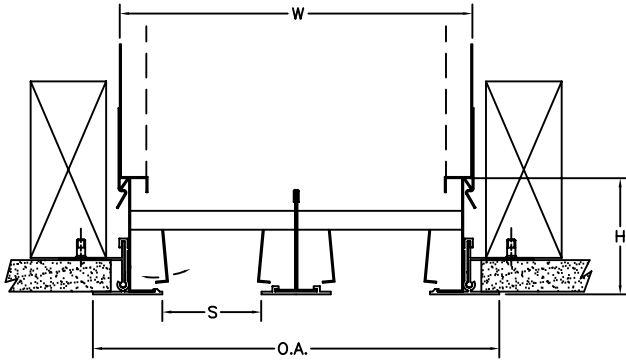
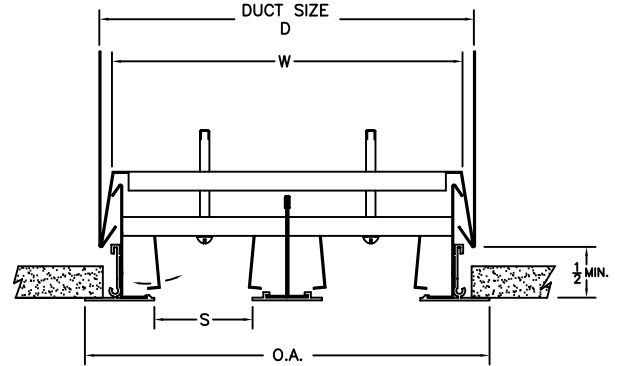


AIR DISTRIBUTION SUBMITTAL

FRAME-IN APPLICATION (FM) (SHOWN WITH SNAP-ON PLENUM)



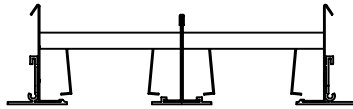
SURFACE MOUNT APPLICATION (SM) (SHOWN WITH HEMMED-EDGE PLENUM)



| | SLOT WIDTH S | OVERALL WIDTH O.A. | DUCT WIDTH D | W | H |
|-----------|-----------------|--------------------------------|--------------------------------|--------------------------------|-------------------------------|
| WF2000-10 | 1 | 6 ¹ / ₈ | 5 ⁵ / ₈ | 5 ¹ / ₈ | 2 ¹ / ₄ |
| WF2000-15 | 1 1/2 | 7 ¹ / ₈ | 6 ⁵ / ₈ | 6 ¹ / ₈ | 2 ¹ / ₄ |
| WF2000-20 | 2 | 8 ¹ / ₈ | 7 ⁵ / ₈ | 7 ¹ / ₈ | 2 ¹ / ₄ |
| WF2000-25 | 2 1/2 | 11 ³ / ₄ | 11 ¹ / ₈ | 10 ⁵ / ₈ | 3 |
| WF2000-30 | 3 | 12 ³ / ₄ | 12 ¹ / ₈ | 11 ⁵ / ₈ | 3 |

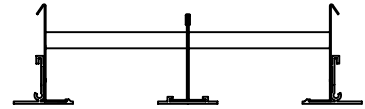
TWO SLOT SUPPLY

- WF2000DT-10 1" SLOT
- WF2000DT-15 1 1/2" SLOT
- WF2000DT-20 2" SLOT
- WF2000DT-25 2 1/2" SLOT
- WF2000DT-30 3" SLOT

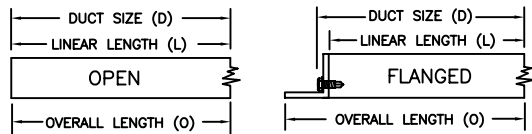


TWO SLOT RETURN

- WF2000R-10 1" SLOT
- WF2000R-15 1 1/2" SLOT
- WF2000R-20 2" SLOT
- WF2000R-25 2 1/2" SLOT
- WF2000R-30 3" SLOT



END VARIATION



LENGTH DIMENSIONS

| OPEN-OPEN (OO) | FLANGE-OPEN (FO) | FLANGE-FLANGE (FF) |
|----------------|---------------------------------------|---------------------------------------|
| D = L | D = L + ¹ / ₈ | D = L + ¹ / ₄ |
| O = L | O = L + 1 ¹ / ₈ | O = L + 2 ¹ / ₄ |

FEATURES

- FACE CONSTRUCTION OF HEAVY WALL ALUMINUM WITH WHITE FINISH
- PATTERN CONTROL AND FRAME MEMBERS CONSTRUCTED OF 24 GA. STEEL WITH BLACK FINISH.
- PATTERN CONTROL PROVIDES AIRSTREAM PERPENDICULAR TO THE MOUNTING SURFACE.
- PATTERN CONTROL FURNISHED IN MULTIPLE SECTIONS FOR DIFFUSERS LONGER THAN 3FT.
- SECTIONS UP TO 8 FT. CAN BE PROVIDED
- CURVED SECTIONS AVAILABLE. CONTACT FACTORY
- BLANK OFF PANELS AVAILABLE. CONTACT FACTORY
- LIGHT SHIELDS AVAILABLE. CONTACT FACTORY

OPTIONS (SPECIFY)

- LINEAR LENGTH (L)
- END VARIATION (OO) (FO) (FF)
- SURFACE MOUNT (SM)
- FRAME-IN MOUNT (FM)

STANDARD INDUSTRY TOLERANCES APPLY. SPECIFICATIONS ARE SUBJECT TO CHANGE WITHOUT NOTICE.

JOB NAME: _____
 LOCATION: _____
 ARCHITECT: _____
 ENGINEER: _____
 CONTRACTOR: _____

WF2000 DT TWO SLOT DIRECT THROW WIDE FLOW LINEAR DIFFUSER

DRAWN BY
JLH

DATE
9-10-02

DWG. NO.
WF2000DT-2B

P.O. BOX 250
 ALBION, IOWA 50005
 PH. (641) 488-2211 FAX (641) 488-2796
 www.raymon-hvac.com



RAYMON
 DONCO AIR DISTRIBUTION EQUIPMENT