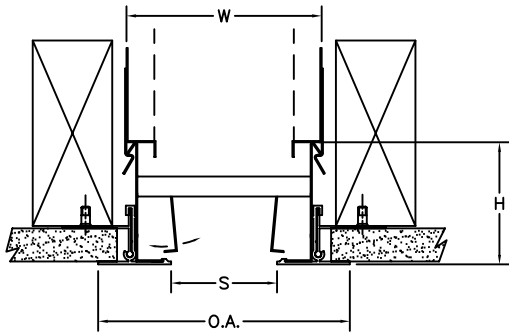
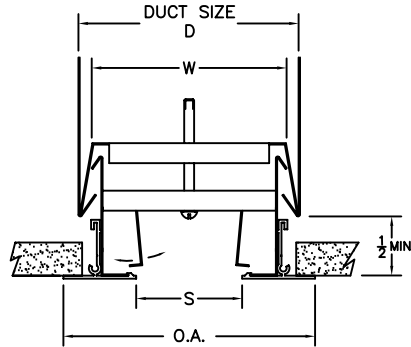


AIR DISTRIBUTION SUBMITTAL

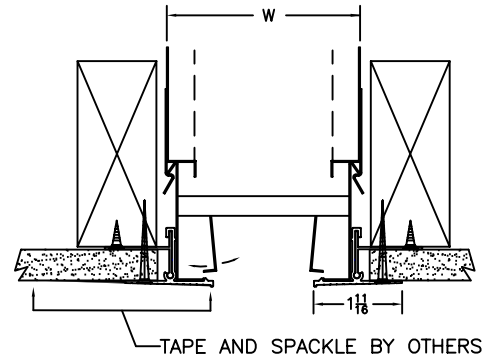
FRAME-IN APPLICATION (SHOWN WITH SNAP-ON PLENUM)



SURFACE MOUNT APPLICATION (SHOWN WITH HEMMED-EDGE PLENUM)



PLASTER-IN APPLICATION (22) (SHOWN WITH SNAP-ON PLENUM)

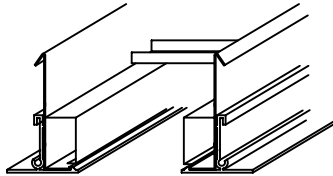


	SLOT WIDTH S	OVERALL WIDTH O.A.	DUCT WIDTH D	W	H
WF2000-10	1	3 ³ / ₄	3 ¹ / ₄	2 ⁵ / ₈	2 ¹ / ₄
WF2000-15	1 ¹ / ₂	4 ¹ / ₄	3 ³ / ₄	3 ¹ / ₈	2 ¹ / ₄
WF2000-20	2	4 ³ / ₄	4 ¹ / ₄	3 ⁵ / ₈	2 ¹ / ₄
WF2000-25	2 ¹ / ₂	6 ⁵ / ₈	6	5 ¹ / ₂	3
WF2000-30	3	7 ¹ / ₈	6 ¹ / ₂	6	3

FRAME TYPE 22 IS NOT AVAILABLE FOR ALL SLOT CONFIGURATIONS. CONTACT FACTORY.

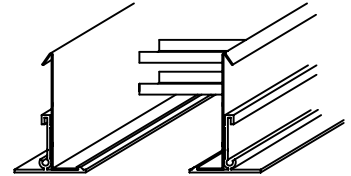
SUPPLY

- WF2000DT-10 1" SLOT
- WF2000DT-15 1 1/2" SLOT
- WF2000DT-20 2" SLOT
- WF2000DT-25 2 1/2" SLOT
- WF2000DT-30 3" SLOT

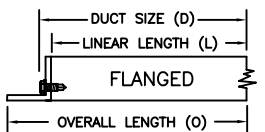
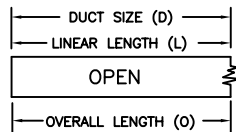
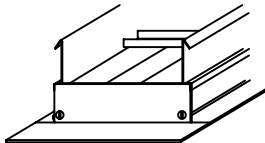
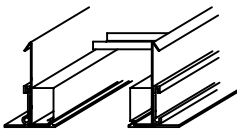


RETURN

- WF2000R-10 1" SLOT
- WF2000R-15 1 1/2" SLOT
- WF2000R-20 2" SLOT
- WF2000R-25 2 1/2" SLOT
- WF2000R-30 3" SLOT



END VARIATION



LENGTH DIMENSIONS

OPEN-OPEN (OO)	FLANGE-OPEN (FO)	FLANGE-FLANGE (FF)
D = L	D = L + ¹ / ₈	D = L + ¹ / ₄
O = L	O = L + 1 ¹ / ₈	O = L + 2 ¹ / ₄

FEATURES

- FACE CONSTRUCTION OF HEAVY WALL ALUMINUM WITH WHITE FINISH
- PATTERN CONTROL AND FRAME MEMBERS CONSTRUCTED OF 24 GA. STEEL WITH BLACK FINISH.
- PATTERN CONTROL PROVIDES AIRSTREAM PERPENDICULAR TO THE MOUNTING SURFACE.
- PATTERN CONTROL FURNISHED IN MULTIPLE SECTIONS FOR DIFFUSERS LONGER THAN 3FT.
- SECTIONS UP TO 8 FT. CAN BE PROVIDED
- CURVED SECTIONS AVAILABLE. CONTACT FACTORY
- BLANK OFF PANELS AVAILABLE. CONTACT FACTORY
- LIGHT SHIELDS AVAILABLE. CONTACT FACTORY

OPTIONS (SPECIFY)

- LINEAR LENGTH (L)
- END VARIATION (OO) (FO) (FF)
- SURFACE MOUNT (SM)
- FRAME-IN MOUNT (FM)
- PLASTER-IN MOUNT (22)

STANDARD INDUSTRY TOLERANCES APPLY. SPECIFICATIONS ARE SUBJECT TO CHANGE WITHOUT NOTICE.

JOB NAME: _____
 LOCATION: _____
 ARCHITECT: _____
 ENGINEER: _____
 CONTRACTOR: _____

WF2000 DT ONE SLOT DIRECT THROW WIDE FLOW LINEAR DIFFUSER

DRAWN BY
JLH

DATE
9-10-02

DWG. NO.
WF2000DT-1B

P.O. BOX 250
 ALBION, IOWA 50005
 PH. (641) 488-2211 FAX (641) 488-2796
 www.raymon-hvac.com



RAYMON
 DONCO AIR DISTRIBUTION EQUIPMENT