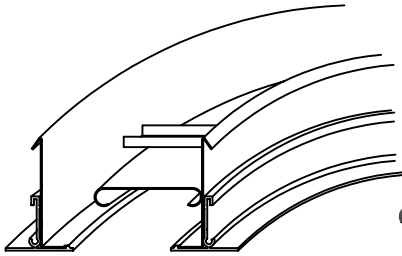
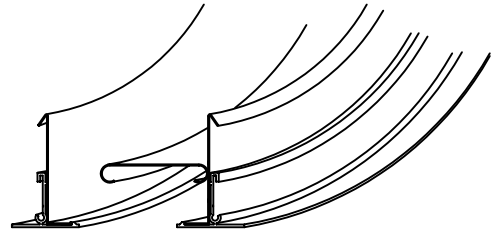


AIR DISTRIBUTION SUBMITTAL

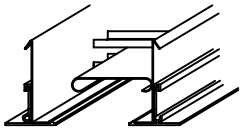
WF2000 SERIES ACCESSORIES



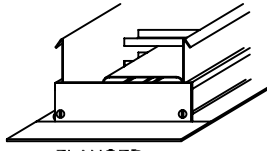
CURVED SECTIONS AVAILABLE
CONTACT FACTORY



END VARIATIONS

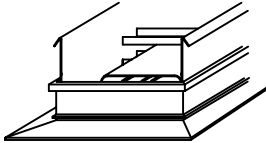


OPEN

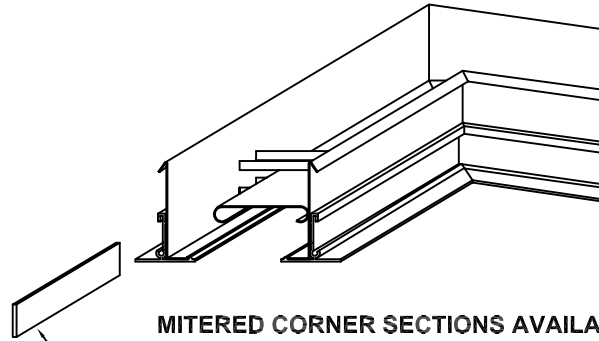


FLANGED

OPEN OR FLANGED IS STANDARD
MITERED FLANGE IS A SPECIAL OPTION

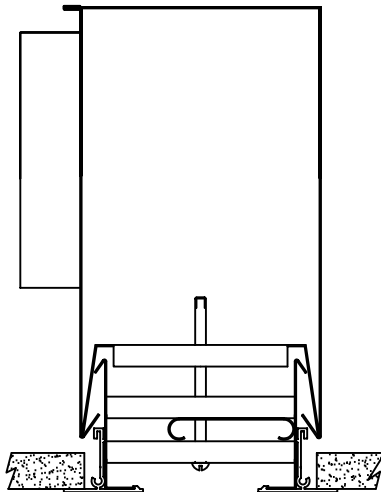


MITER FLANGE



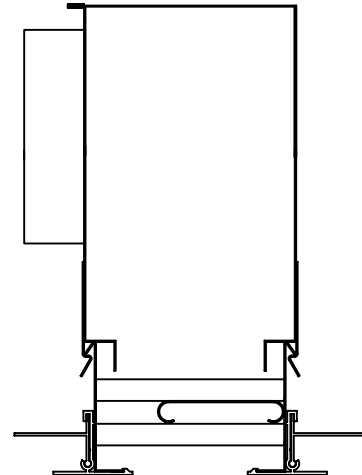
MITERED CORNER SECTIONS AVAILABLE
CONTACT FACTORY

ALIGNMENT STRIPS ARE PROVIDED FOR
CONTINUOUS APPLICATIONS



DISTRIBUTION PLENUMS

AVAILABLE FOR BOTH SURFACE MOUNT
AND FRAME-IN APPLICATIONS.



STANDARD INDUSTRY TOLERANCES APPLY. SPECIFICATIONS
ARE SUBJECT TO CHANGE WITHOUT NOTICE.

JOB NAME: _____
LOCATION: _____
ARCHITECT: _____
ENGINEER: _____
CONTRACTOR: _____

WF2000 SERIES WIDE FLOW LINEAR ACCESSORIES

DRAWN BY
JLH

DATE
10-2-00

DWG. NO.
WF2000-ACC

P.O. BOX 250
ALBION, IOWA 50005
PH. (641) 488-2211 FAX (641) 488-2796
www.raymon-hvac.com



RAYMON
DONCO AIR DISTRIBUTION EQUIPMENT