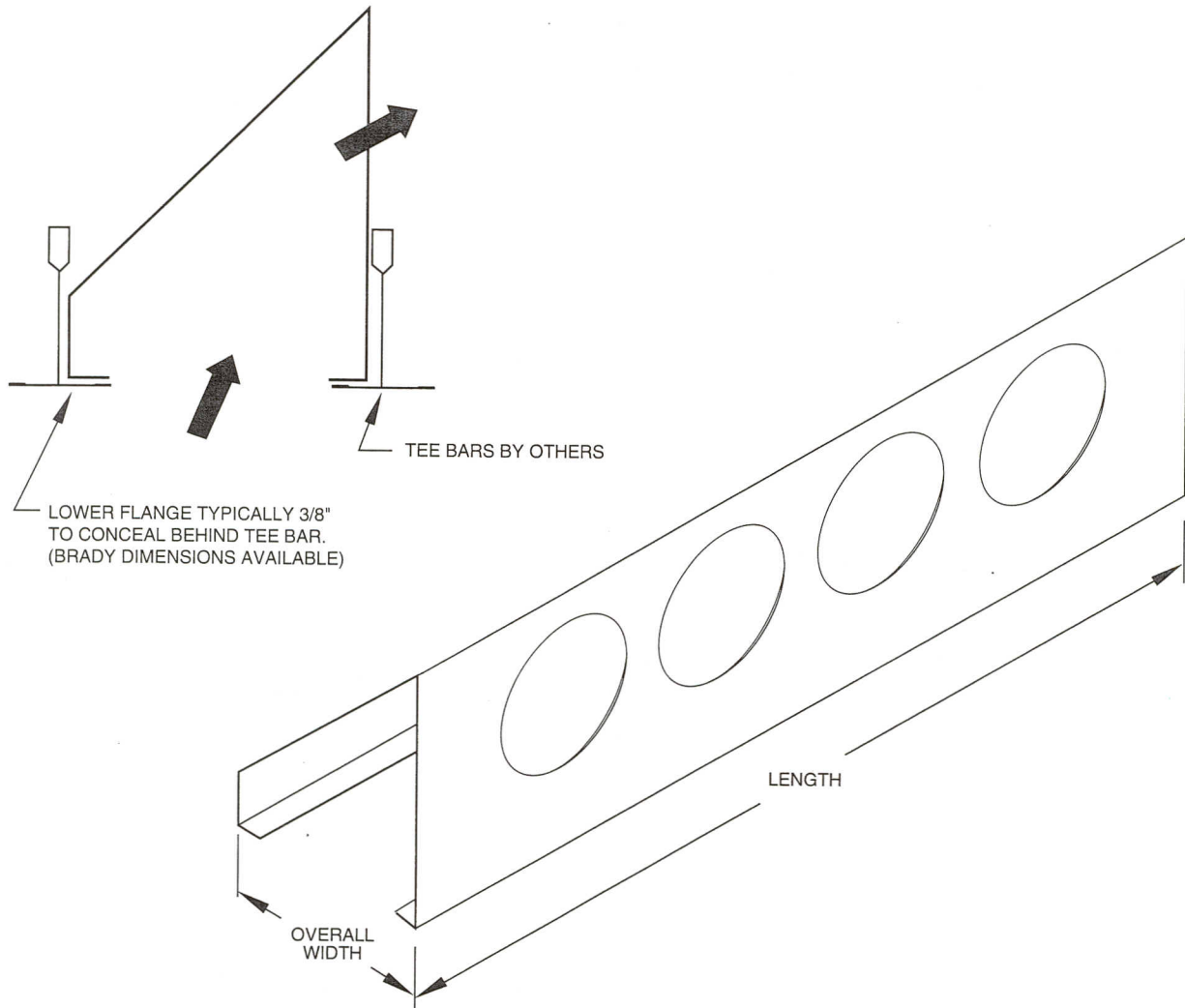


# AIR DISTRIBUTION SUBMITTAL



## FEATURES

- ONE-PIECE CONSTRUCTION WITHOUT ENDCAPS ALLOWS SECTIONS TO BE FIELD CUT TO SPECIFIC LENGTH REQUIREMENTS.
- AVAILABLE IN NOMINAL LENGTHS OF 24, 36, 48 INCH. ACTUAL LENGTH IS NOMINAL — 1/4 INCH.
- AVAILABLE IN 2 TO 4 INCH OVERALL WIDTH.
- 24 GAUGE GALVANNEALED STEEL. ALL EXPOSED SURFACES PAINTED FLAT BLACK.

STANDARD INDUSTRY TOLERANCES APPLY. SPECIFICATIONS ARE SUBJECT TO CHANGE WITHOUT NOTICE.

## OPTIONS (SPECIFY)

- STEEL UNINSULATED
- STEEL WITH 1/2" INTERNAL INSULATION (TOP ONLY)
- \_\_\_ OVERALL WIDTH
- \_\_\_ NOMINAL LENGTH

JOB NAME: \_\_\_\_\_  
 LOCATION: \_\_\_\_\_  
 ARCHITECT: \_\_\_\_\_  
 ENGINEER: \_\_\_\_\_  
 CONTRACTOR: \_\_\_\_\_

## TRIANGULAR OPEN RETURN

DRAWN BY  
MTV

DATE  
3-15-91

DWG. NO.  
TOR

P.O. BOX 250  
 ALBION, IOWA 50005  
 PH. (641) 488-2211 FAX (641) 488-2796  
 www.raymon-hvac.com



**RAYMON**  
 DONCO AIR DISTRIBUTION EQUIPMENT