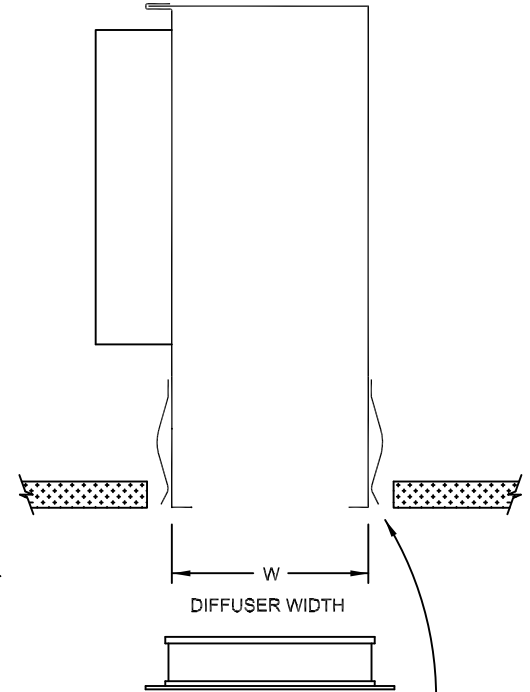
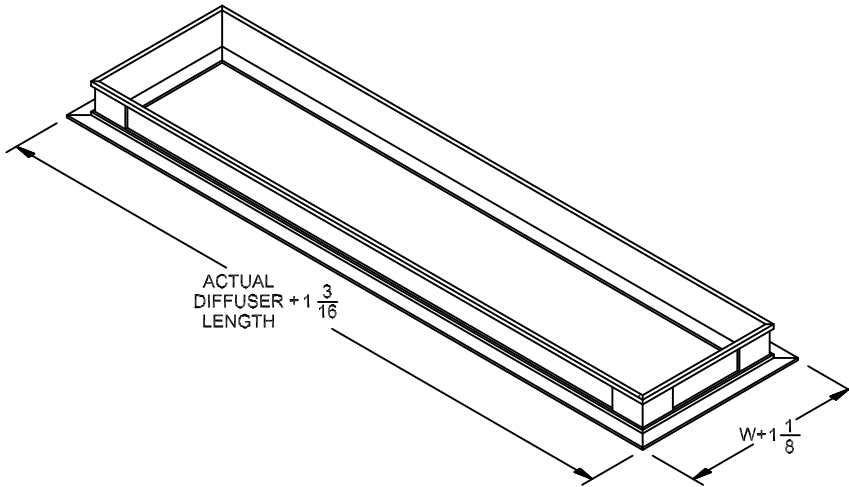




RAYMON

SUBMITTAL SHEET
MODEL TBF
SURFACE MOUNT TEE BAR FRAME

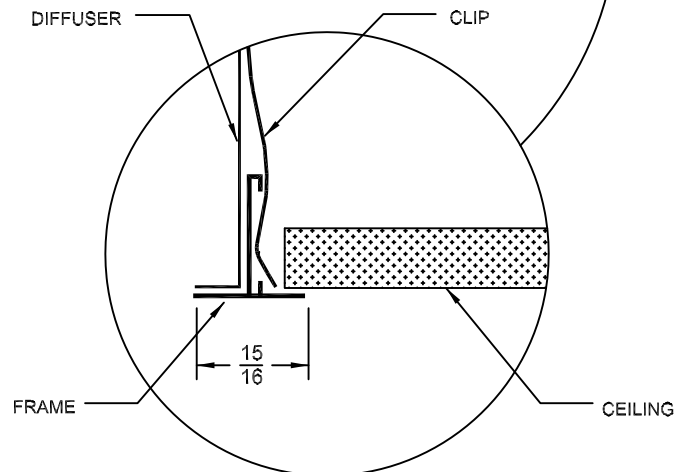
Surface Mount Tee Bar Frames allow slot diffusers to be installed in sheetrock or plaster ceilings. With the slot diffuser suspended above the ceiling, the frame is easily pressed into position and held in place by the tension clips on the diffuser. Additional fasteners can be applied based on specific requirements.



RECOMMENDED CEILING OPENING DIMENSIONS
WIDTH = DIFFUSER WIDTH (W) + 3/4
LENGTH = ACTUAL DIFFUSER LENGTH + 3/4

FEATURES

- MATERIAL: EXTRUDED ALUMINUM WITH MITERED CORNERS.
- WHITE FINISH IS STANDARD. CONTACT FACTORY FOR OTHER REQUIREMENTS.
- AVAILABLE FOR MOST SLOT DIFFUSER PRODUCT LINES. DCDT, SAT, E-SERIES, SRC, ETC.
- FOR DIFFUSER DETAILS, REFER TO SUBMITTAL OF SPECIFIC PRODUCT.
- DETAILED DRAWINGS ARE AVAILABLE FOR SPECIFIC DIFFUSER AND FRAME REQUIREMENTS.
- FRAMES ARE ALSO AVAILABLE FOR APPLICATIONS INCLUDING BORDERS FOR REGISTERS, GRILLES, ACCESS PANELS, AND OTHER BUILDING EQUIPMENT FOR WALLS AND CEILINGS.



SECTION DETAIL
(INSTALLED)

STANDARD INDUSTRY TOLERANCES APPLY. SPECIFICATIONS ARE SUBJECT TO CHANGE WITHOUT NOTICE.

JOB NAME: _____
 LOCATION: _____
 ARCHITECT: _____
 ENGINEER: _____
 CONTRACTOR: _____

MODEL TBF
SURFACE MOUNT TEE BAR FRAME

DRAWN BY: RBJ DATE: 03-29-22 DWG. NO. TBF

RAYMON P.O. BOX 250 ALBION, IOWA 50005 www.raymon-hvac.com