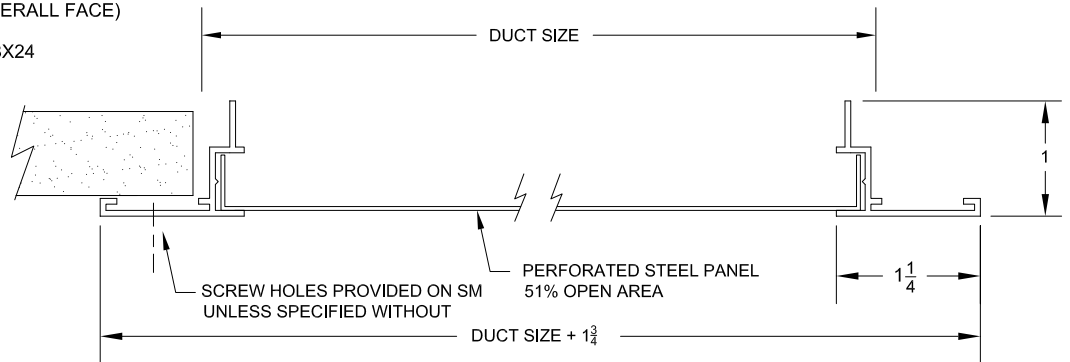


PR-SM SURFACE MOUNT

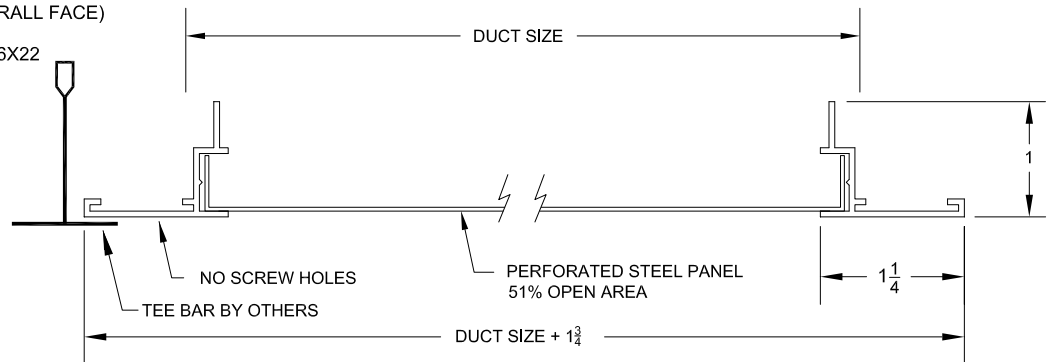
EX: PR-SM-1212
(12X12 DUCT SIZE WITH 13.75 X 13.75 OVERALL FACE)

AVAILABLE DUCT SIZES FROM 6X6 TO 48X24


PR-TB TEE BAR LAY-IN

EX: PR-TB-2222
(22X22 DUCT SIZE WITH 23.75 X 23.75 OVERALL FACE)

AVAILABLE DUCT SIZES FROM 10X10 TO 46X22


FEATURES

- EXTRUDED ALUMINUM FRAME WITH STEEL PERFORATED PANEL.
- STANDARD COLOR IS RAYMON #26 WHITE. CONTACT FACTORY FOR OTHER OPTIONS.
- AVAILABLE FOR SURFACE MOUNT OR STANDARD TEE BAR LAY-IN. CONTACT FACTORY FOR OTHER APPLICATIONS.
- LIGHT SHIELDS ARE AVAILABLE. ORDER SEPARATELY.

OPTIONS (SPECIFY)

- PR-SM SURFACE MOUNT W/SCREW HOLES
- PR-TB TEE BAR LAY-IN, NO SCREW HOLES
- ___ SIZE (USE MODEL # EXAMPLES ABOVE)

STANDARD INDUSTRY TOLERANCES APPLY. SPECIFICATIONS ARE SUBJECT TO CHANGE WITHOUT NOTICE.

JOB NAME: _____

LOCATION: _____

ARCHITECT: _____

ENGINEER: _____

CONTRACTOR: _____

MODEL PR-SM, PR-TB PERFORATED RETURN GRILLES

DRAWN BY: RBJ DATE: 11-2-15 DWG. NO. PR

RAYMON P.O. BOX 250 ALBION, IOWA 50005 www.raymon-hvac.com