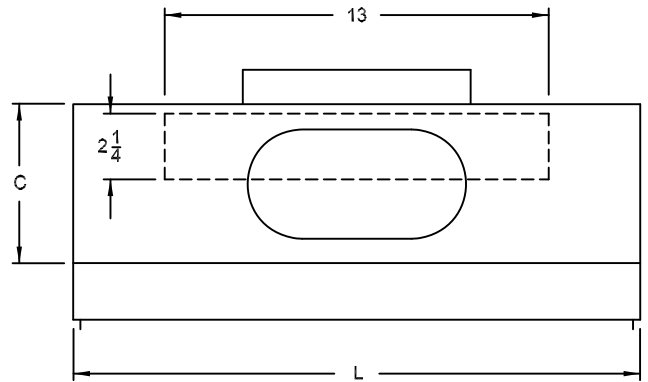


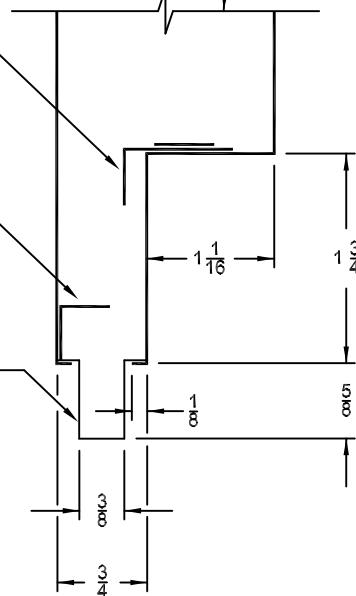
| A | B | C |
|----------------|-----------------|----------------|
| $6\frac{3}{4}$ | $4\frac{3}{16}$ | $4\frac{7}{8}$ |
| $7\frac{3}{4}$ | $5\frac{3}{16}$ | $5\frac{7}{8}$ |
| $8\frac{3}{4}$ | $6\frac{3}{16}$ | $6\frac{7}{8}$ |
| $9\frac{3}{4}$ | $7\frac{3}{16}$ | $7\frac{7}{8}$ |



VOLUME DAMPER ACCESSIBLE THROUGH AIR SLOT-4' MODELS HAVE TWO INDIVIDUAL DAMPERS

AIR DEFLECTOR OMITTED WHEN LIGHT FIXTURE IS FURNISHED WITH DEFLECTOR

HOLD-DOWN TABS TO ALIGN AND LOCK DIFFUSER TO LIGHT FIXTURE AIR SLOT (SHIPPED FLAT)



| LIGHT FIXTURE SIZE | AIR DIFFUSER DIMENSIONS * | | SPECIFY LIGHT FIXTURE MANUFACTURER & MODEL NUMBER |
|--------------------|---------------------------|----|---|
| | W | L | |
| 1 x 4 | 9 | 40 | |
| 2 x 2 | 21 | 20 | |
| 3 x 3 | 33 | 27 | |
| 2 x 4 | 21 | 40 | |
| 4 x 4 | 45 | 40 | |

* TYPICAL DIFFUSER DIMENSIONS ARE STATED. DIMENSIONS A, B, C, W AND L WILL VARY WITH LIGHT FIXTURE MANUFACTURER. TO INSURE COMPATIBILITY, LIST LIGHT FIXTURE MANUFACTURER AND MODEL NUMBER. CEILING CLEARANCE REQUIRED IS DIFFUSER HEIGHT PLUS 1/4", PLUS AMOUNT TROFFER SLOT IS REGRESSED ABOVE CEILING LINE. TOP INLET UNITS EXTEND ABOVE THIS DIMENSION.

FEATURES

- DIFFUSERS ARE AVAILABLE AS SUPPLY OR RETURN UNITS FOR REGRESSED OR FLUSH AIR HANDLING LIGHT FIXTURES.
- MATERIAL: GALVANNEALED STEEL. EXPOSED SLOT AREA PAINTED FLAT BLACK.
- DIFFUSER (EXCEPT 4 x 4 MODELS) NORMALLY SHIPPED FULLY ASSEMBLED, READY FOR JOB SITE INSTALLATION. SPECIFY FOR CROSSOVER AND DIFFUSERS UNASSEMBLED.
- INLETS: 5" TO 8" OVAL STANDARD ON SIDE ENTRY. ROUND ON TOP ENTRY. OTHER SIZES AVAILABLE ON REQUEST.

OPTIONS (SPECIFY)

- STEEL UNINSULATED
- STEEL WITH 1/2" INTERNAL INSULATION
- STEEL WITH 1/2" FSK EXTERNAL INSULATION

STANDARD INDUSTRY TOLERANCES APPLY. SPECIFICATIONS ARE SUBJECT TO CHANGE WITHOUT NOTICE.

JOB NAME: _____

LOCATION: _____

ARCHITECT: _____

ENGINEER: _____

CONTRACTOR: _____

MODEL S-200

DUAL-SIDED LIGHT TROFFER DIFFUSER

DRAWN BY: RBJ DATE: 03-21-22 DWG. NO. S-200