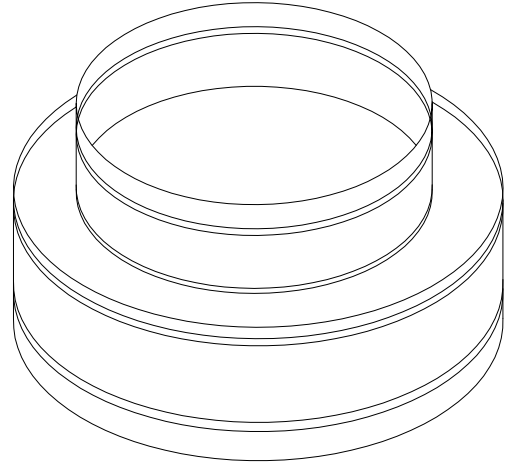
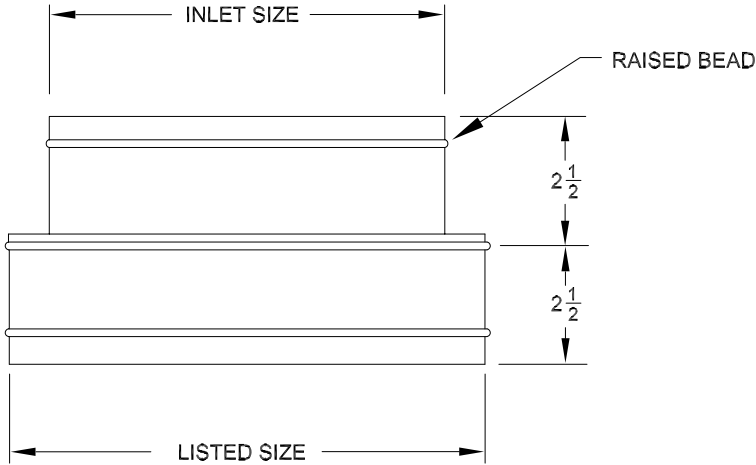


AIR DISTRIBUTION SUBMITTAL



FEATURES

- 24 GAUGE GALVANNEALED STEEL CONSTRUCTION
- 2.5 INCH COLLAR WITH RAISED BEAD

OPTIONS (SPECIFY)

- ___ LISTED SIZE (LARGEST DIAMETER)
AVAILABLE: 6, 8, 10, 12, 14, 16
- ___ INLET SIZE (SMALLER DIAMETER)
AVAILABLE: 6, 8, 10, 12, 14

STANDARD INDUSTRY TOLERANCES APPLY. SPECIFICATIONS
ARE SUBJECT TO CHANGE WITHOUT NOTICE.

JOB NAME: _____
LOCATION: _____
ARCHITECT: _____
ENGINEER: _____
CONTRACTOR: _____

MODEL RTR ROUND TO ROUND REDUCERS

DRAWN BY
RBJ

DATE
3-16-05

DWG. NO.
RTR

P.O. BOX 250
ALBION, IOWA 50005
PH. (641) 488-2211 FAX (641) 488-2796
www.raymon-hvac.com



RAYMON
DONCO AIR DISTRIBUTION EQUIPMENT