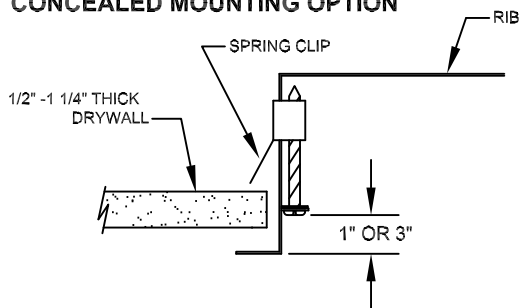

CONCEALED MOUNTING OPTION


- FULLY ASSEMBLED WITH SPRING STEEL CLIPS FOR CONCEALED MOUNTING INSTALLATION
- SCREWDRIVER DRAWS FLANGED FACE TIGHT TO MOUNTING SURFACE

FEATURES

- 24 GA STEEL CONSTRUCTION, INTERIOR PAINTED BLACK
- AVAILABLE IN SQUARE DUCT SIZES 6 x 6 TO 22 x 22
- RECTANGULAR SIZES AVAILABLE, CONTACT FACTORY.
- BEADED COLLAR STANDARD FOR SECURE DUCT CONNECTION.

OPTIONS (SPECIFY)

- RIB-S STANDARD 3.25 HEIGHT
- RIB-T TALL 5.25 HEIGHT
- ___ SQUARE DUCT SIZE
- ___ ROUND COLLAR SIZE
- CONCEALED MOUNTING OPTION (CM)

STANDARD INDUSTRY TOLERANCES APPLY. SPECIFICATIONS ARE SUBJECT TO CHANGE WITHOUT NOTICE.

JOB NAME: _____

LOCATION: _____

ARCHITECT: _____

ENGINEER: _____

CONTRACTOR: _____

**MODEL RIB
ROUGH-IN BOX**

DRAWN BY: RBJ DATE: 11-14-13 DWG. NO. RIB

RAYMON P.O. BOX 250 ALBION, IOWA 50005 www.raymon-hvac.com