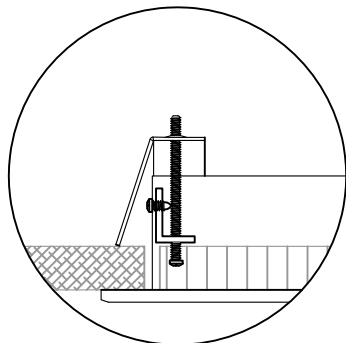


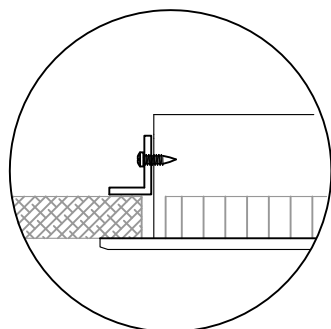
CONCEALED MOUNTING



ROOM ACCESS

(STANDARD)

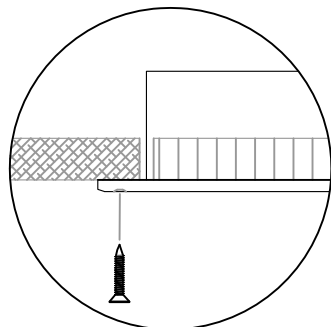
CONCEALED MOUNTING



REAR ACCESS

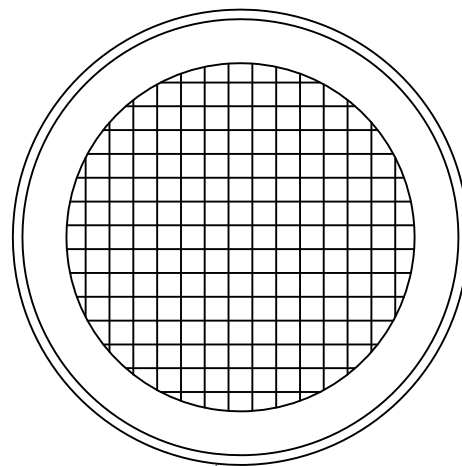
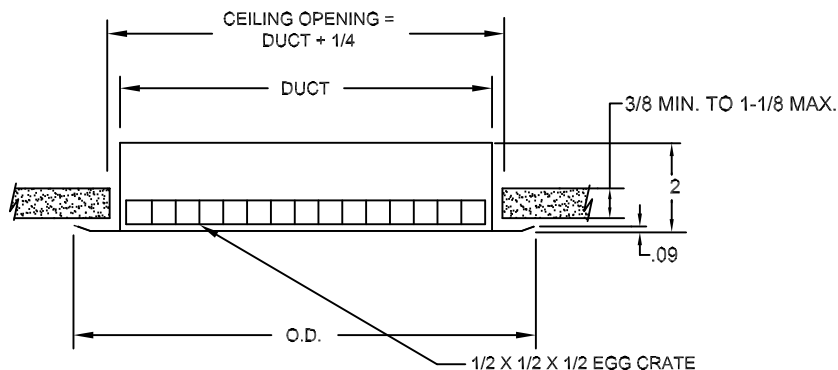
(STANDARD)

SCREW MOUNTED



ROOM ACCESS

(OPTION)



1 1/8" WIDE TRIM

MODEL	DUCT	O.D.
RECR-4	4	5-13/16
RECR-6	6	7-13/16
RECR-8	8	9-13/16
RECR-10	10	11-13/16
RECR-12	12	13-13/16

**FEATURES**

- STEEL CONSTRUCTION WITH ALUMINUM EGG CRATE CORE
- TWO CONCEALED MOUNTING OPTIONS STANDARD
- SCREW MOUNTING OPTION AVAILABLE
- ALL MOUNTING HARDWARE INCLUDED WITH EACH UNIT
- STANDARD COLOR IS DONCO #26 WHITE. CONTACT FACTORY FOR OTHER OPTIONS.

**OPTIONS (SPECIFY)**

- MODEL RECR-4
- MODEL RECR-6
- MODEL RECR-8
- MODEL RECR-10
- MODEL RECR-12
- SCREW MOUNTING

*STANDARD INDUSTRY TOLERANCES APPLY. SPECIFICATIONS ARE SUBJECT TO CHANGE WITHOUT NOTICE.*

JOB NAME: \_\_\_\_\_

LOCATION: \_\_\_\_\_

ARCHITECT: \_\_\_\_\_

ENGINEER: \_\_\_\_\_

CONTRACTOR: \_\_\_\_\_

## MODEL RECR ROUND EGG CRATE

DRAWN BY: JLH

DATE: 08-26-14

DWG. NO. RECR