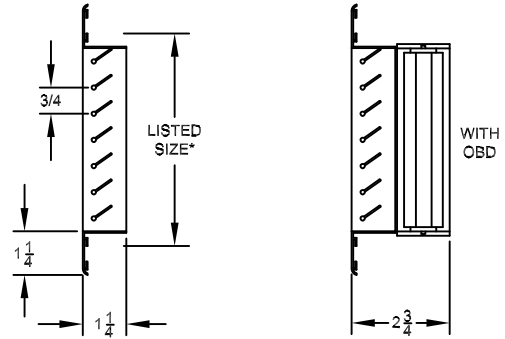
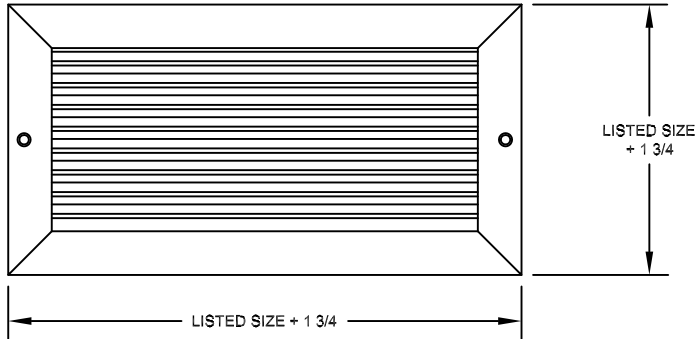
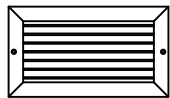
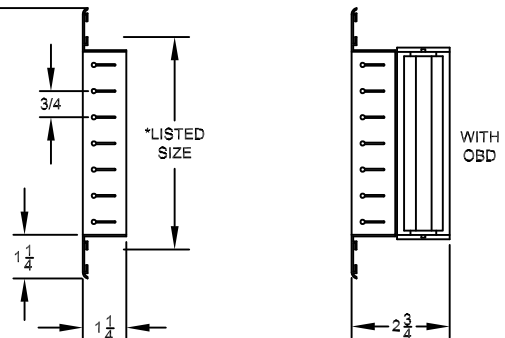
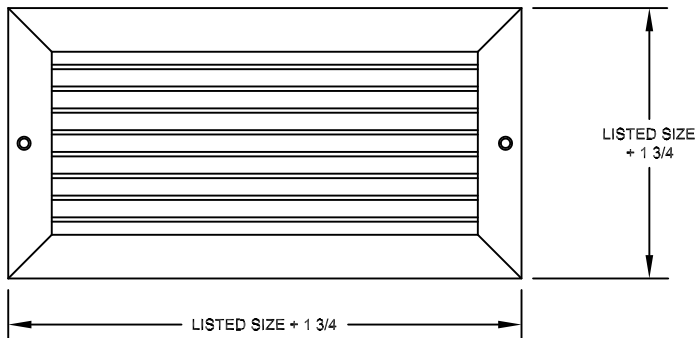


**FIXED 35 DEG. RETURN (RA-RH SHOWN)**


\*LISTED SIZE = DUCT SIZE AND ROUGH OPENING SIZE



- RA-RH FIXED 35 DEG. HORIZONTAL
- RA-RHD FIXED 35 DEG. HORIZONTAL WITH DAMPER (OBD OPPOSED BLADE)

**FIXED 0 DEG. RETURN (RA-RHS SHOWN)**

**FEATURES**

- EXTRUDED ALUMINUM CONSTRUCTION
- STANDARD FINISH IS #26 WHITE
- FIXED BLADES AT 0 OR 35 DEGREE
- BLADE SPACING IS 3/4" CENTERS.
- SCREW HOLES ARE STANDARD

**OPTIONS (SPECIFY)**

- \_\_\_\_\_ MODEL (EX: RA-RH)
- \_\_\_\_\_ LISTED SIZE (EX: 12X6)
- AVAILABLE IN 2" INCREMENTS TO MAX. 36"

STANDARD INDUSTRY TOLERANCES APPLY. SPECIFICATIONS ARE SUBJECT TO CHANGE WITHOUT NOTICE.

JOB NAME: \_\_\_\_\_  
 LOCATION: \_\_\_\_\_  
 ARCHITECT: \_\_\_\_\_  
 ENGINEER: \_\_\_\_\_  
 CONTRACTOR: \_\_\_\_\_

**MODEL RA SERIES**  
**ALUMINUM FIXED BLADE RETURN GRILLES**

DRAWN BY: RBJ      DATE: 11-12-07      DWG. NO. RA-R

**RAYMON** P.O. BOX 250 ALBION, IOWA 50005 www.raymon-hvac.com