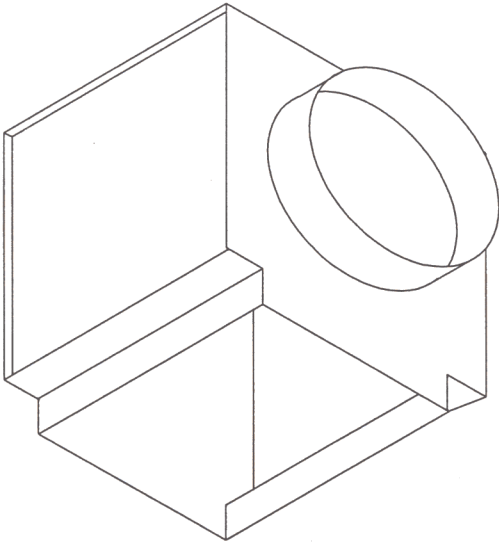
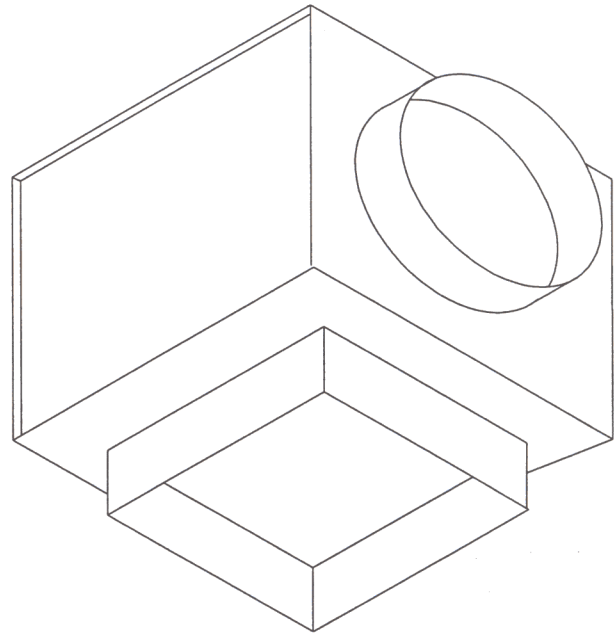


AIR DISTRIBUTION SUBMITTAL



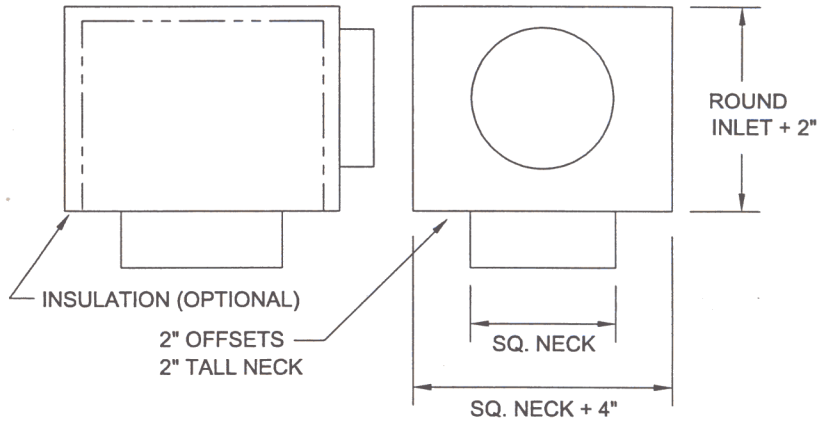
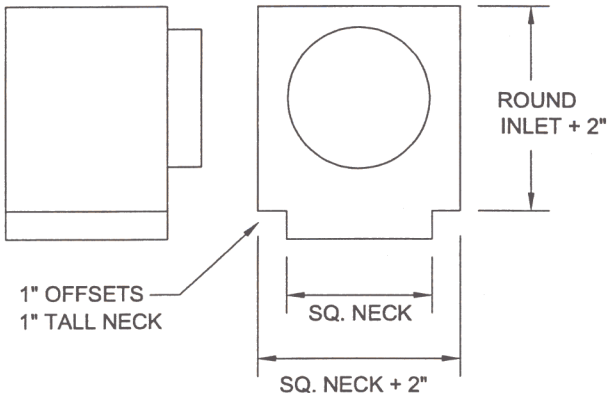
MODEL PT-2 (OFFSET 2 SIDES)

TWO OFFSETS ALLOW PLENUM TO ACCOMMODATE A ROUND NECK AS LARGE AS THE SQUARE NECK. EX: 8X8 W/8" ROUND



MODEL PT-4 (OFFSET 4 SIDES)

FOUR OFFSETS ALLOW PLENUM TO ACCOMMODATE STANDARD 1/2" OR THICKER INSULATIONS AND PROVIDE MORE PLENUM-EFFECT.



FEATURES

- HOUSING CONSTRUCTED OF 24 GA. GALVANNEALED STEEL
- AVAILABLE SQUARE NECK SIZES FROM 6X6 TO 22X22.
- AVAILABLE ROUND NECK SIZES FROM 6 TO 16.
- CONTACT FACTORY FOR SPECIAL OPTIONS SUCH AS TALLER NECKS, LARGER OFFSETS, THICKER INSULATION, ETC.

STANDARD INDUSTRY TOLERANCES APPLY. SPECIFICATIONS ARE SUBJECT TO CHANGE WITHOUT NOTICE.

OPTIONS (SPECIFY)

- PT-2
- PT-4
- INTERNAL INSULATION 1/2"
- ___ SQUARE NECK SIZE
- ___ ROUND NECK SIZE

NOTE:
ROUND INLET DIA. NOT TO EXCEED THE SQUARE NECK SIZE FOR MODEL PT-2. EX: 6X6 TO HAVE MAXIMUM 6" DIA INLET.

JOB NAME: _____
 LOCATION: _____
 ARCHITECT: _____
 ENGINEER: _____
 CONTRACTOR: _____

MODEL PT PLENUM TRANSITIONS

DRAWN BY: RBJ DATE: 8-21-06 DWG. NO.: PT

P.O. BOX 250
 ALBION, IOWA 50005
 PH. (641) 488-2211 FAX (641) 488-2796
 www.raymon-hvac.com



RAYMON
 DONCO AIR DISTRIBUTION EQUIPMENT