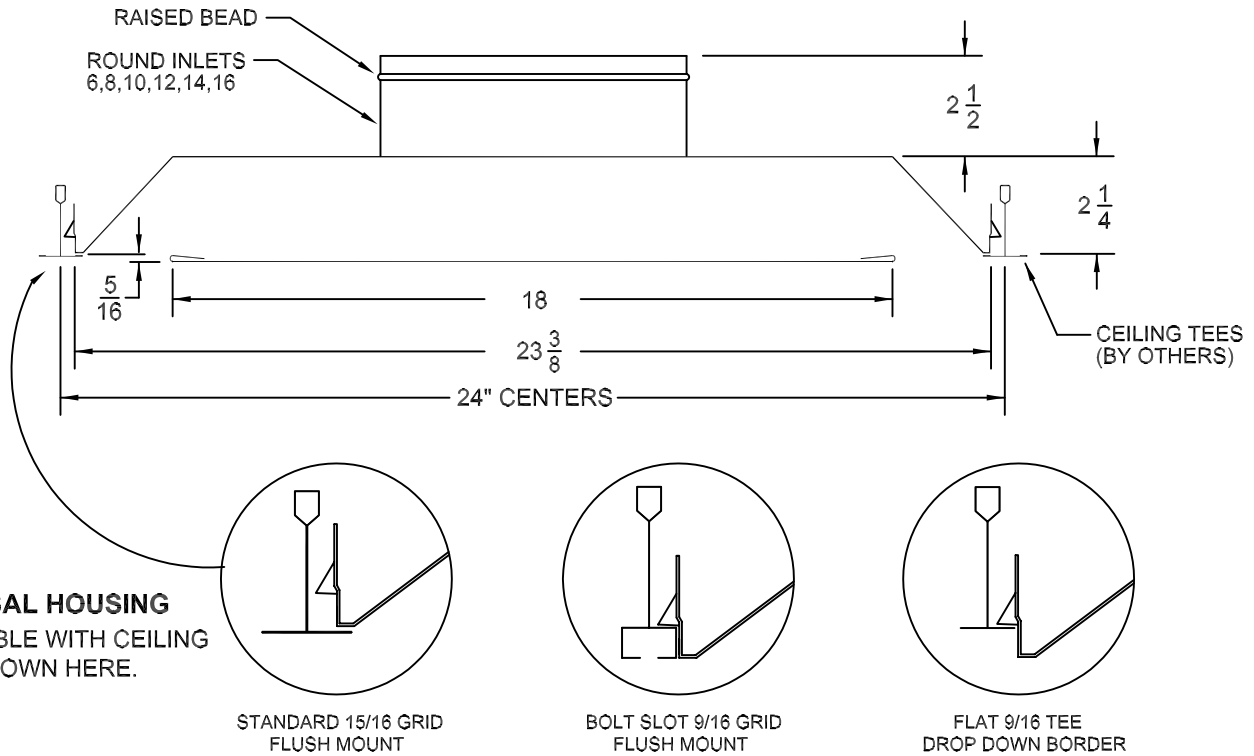


# AIR DISTRIBUTION SUBMITTAL



**UNIVERSAL HOUSING**  
COMPATIBLE WITH CEILING  
GRIDS SHOWN HERE.

STANDARD 15/16 GRID  
FLUSH MOUNT

BOLT SLOT 9/16 GRID  
FLUSH MOUNT

FLAT 9/16 TEE  
DROP DOWN BORDER

## PERFORMANCE DATA

		24 x 24 NOMINAL SIZE									
NECK VELOCITY		400	500	600	700	800	1000	1200	1400		
6" INLET	CFM	80	100	120	135	155	195	235	275		
	Pt	.016	.026	.040	.051	.068	.096	.149	.205		
	THROW	4	5	6	7	8	9	10	12		
	NC	(20)	(20)	(20)	(20)	(20)	24	29	35		
8" INLET	CFM	140	175	210	245	280	350	420	490		
	Pt	.019	.031	.048	.062	.082	.124	.181	.242		
	THROW	6	7	8	9	10	12	14	15		
	NC	(20)	(20)	(20)	(20)	20	31	37	40		
10" INLET	CFM	220	275	325	380	435	545	655	765		
	Pt	.030	.046	.065	.088	.115	.185	.262	.361		
	THROW	7	9	10	11	12	14	15	17		
	NC	(20)	(20)	(20)	(20)	22	30	37	43		
12" INLET	CFM	315	395	470	550	630	785	940	1100		
	Pt	.042	.064	.091	.123	.161	.255	.367	.493		
	THROW	8	10	11	12	14	16	18	20		
	NC	(20)	(20)	(20)	23	27	33	39	45		
14" INLET	CFM	430	535	640	750	855	1070	1285	1495		
	Pt	.057	.082	.121	.166	.212	.334	.481	.648		
	THROW	10	12	14	15	17	20	23	25		
	NC	(20)	(20)	(20)	23	28	36	42	47		

Pt - Total pressure in inches of water.

Throw - Distances in feet to a terminal velocity of 50 fpm.

NC - Noise criteria based on 10 db. room absorption.

Performance data is based on tests performed at Donco Air Products and Intertek Testing Services in accordance with ASHRAE 70-1991. Copy of Report #524177 is available upon request.

STANDARD INDUSTRY TOLERANCES APPLY. SPECIFICATIONS ARE SUBJECT TO CHANGE WITHOUT NOTICE.

## FEATURES

- HOUSING CONSTRUCTED OF 22 GAUGE STEEL.
- DOUBLE THICKNESS STEEL FACE PLATE WITH 20 GAUGE SUBPLATE
- FACE PLATE CAN BE REMOVED FOR DAMPER ADJUSTMENT OR CLEANING.
- FACE PLATE INCLUDES SAFETY CABLE FOR EARTHQUAKE PROTECTION.
- EXTRA DEEP 2 1/2" COLLAR WITH RAISED BEAD FOR SECURE DUCT CONNECTION
- DURABLE POWDER COAT WHITE FINISH STANDARD
- UNIVERSAL HOUSING IS COMPATIBLE WITH CEILING APPLICATIONS SHOWN.
- ACCESSORY FRAMES ARE AVAILABLE FOR SURFACE MOUNT APPLICATIONS.
- CONTACT FACTORY FOR OTHER APPLICATIONS.

## OPTIONS (SPECIFY)

- INLET SIZE (6,8,10,12,14,16)
- BUTTERFLY DAMPER (6,8,10,12,14)
- RADIAL DAMPER (6,8,10,12)

JOB NAME: \_\_\_\_\_  
 LOCATION: \_\_\_\_\_  
 ARCHITECT: \_\_\_\_\_  
 ENGINEER: \_\_\_\_\_  
 CONTRACTOR: \_\_\_\_\_

## PRO-U UNIVERSAL CEILING SQUARE PLAQUE ARCHITECTURAL DIFFUSER

DRAWN BY  
RBJ

DATE  
9-5-06

DWG. NO.  
PRO-U

P.O. BOX 250  
 ALBION, IOWA 50005  
 PH. (641) 488-2211 FAX (641) 488-2796  
 www.raymon-hvac.com



**RAYMON**  
DONCO AIR DISTRIBUTION EQUIPMENT