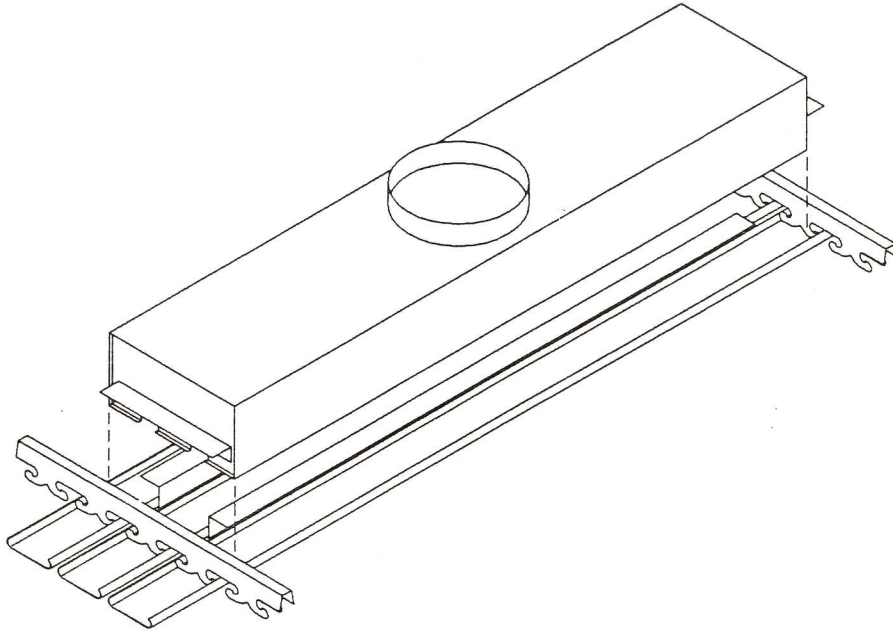


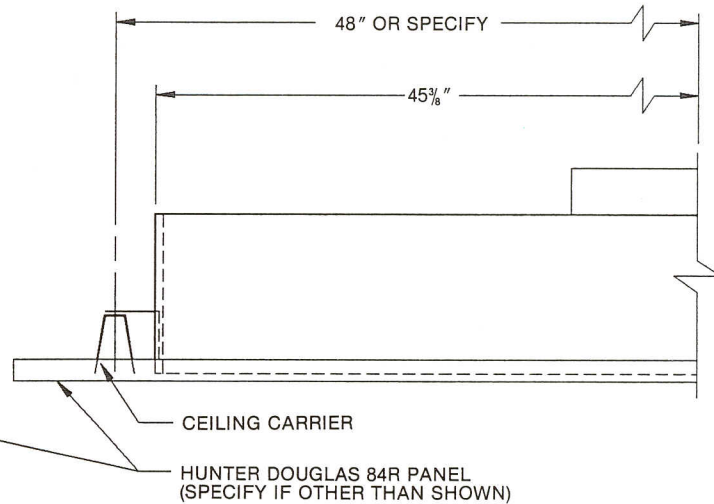
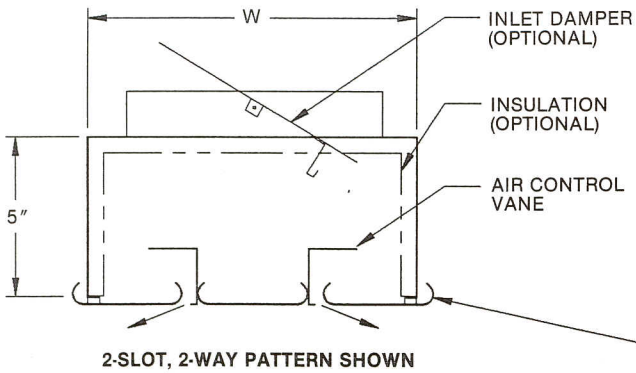
AIR DISTRIBUTION SUBMITTAL



***W—DIMENSION**

- 2-SLOT 10"
- 4-SLOT 16"
- 6-SLOT 24"
- 8-SLOT 32"

*BASED ON 4" CENTER TO CENTER OF SLOTS



FEATURES

- 24 GAUGE GALVANNEALED STEEL.
- REVERSIBLE PATTERN CONTROL VANES ATTACH TO CEILING PANELS FOR 1-WAY OR 2-WAY THROW. VANES ARE FLAT BLACK.
- TOP INLETS ARE STANDARD. SIDE OVAL INLETS ARE OPTIONAL. DIFFUSER HEIGHT WILL VARY WITH SIDE INLETS.
- LOWER FLANGES HAVE FOAM GASKETING TO PREVENT AIR LEAKAGE.

OPTIONS (SPECIFY)

- STEEL UNINSULATED
- STEEL WITH 1/2" INTERNAL INSULATION
- SUPPLY DIFFUSER WITH VANES
- DUCTED RETURN — NO VANES
- VANES ONLY — FOR OPEN RETURN WITHOUT PLENUM
- INLET DAMPER
- ___ NUMBER OF SLOTS
- ___ INLET SIZE

STANDARD INDUSTRY TOLERANCES APPLY. SPECIFICATIONS ARE SUBJECT TO CHANGE WITHOUT NOTICE.

JOB NAME: _____
 LOCATION: _____
 ARCHITECT: _____
 ENGINEER: _____
 CONTRACTOR: _____

PC SERIES AIR DIFFUSERS FOR HUNTER DOUGLAS 84R CEILING

DRAWN BY
MTV

DATE
6-13-90

DWG. NO.
PC-03

P.O. BOX 250
 ALBION, IOWA 50005
 PH. (641) 488-2211 FAX (641) 488-2796
 www.raymon-hvac.com



RAYMON
DONCO AIR DISTRIBUTION EQUIPMENT