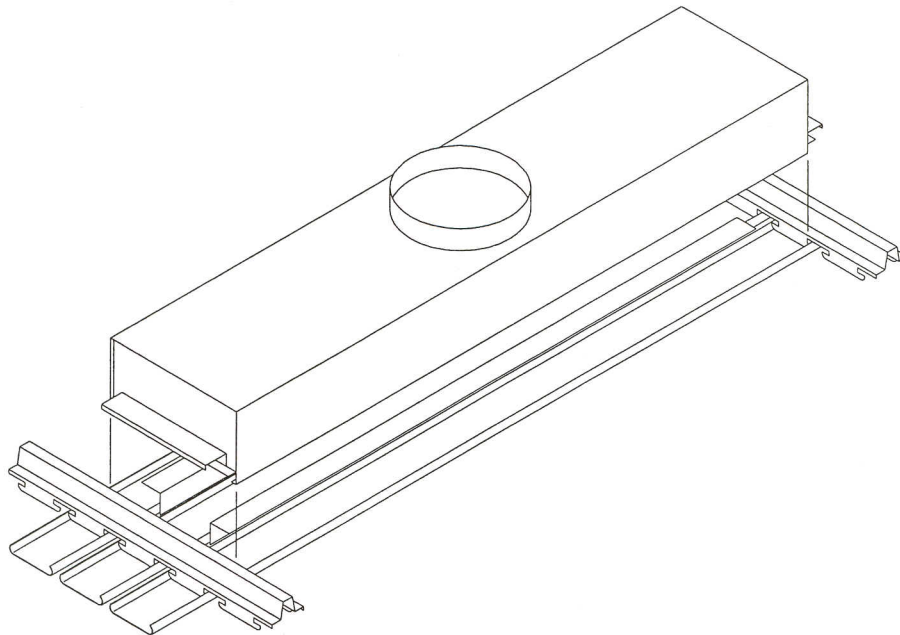


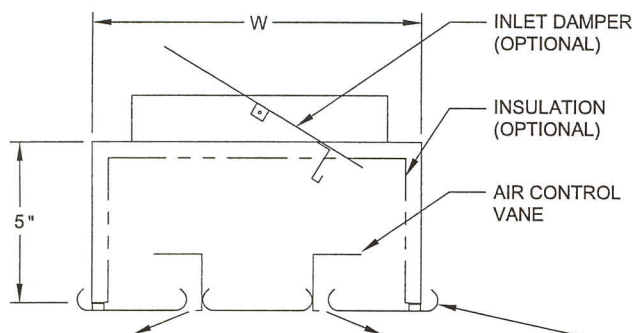
AIR DISTRIBUTION SUBMITTAL



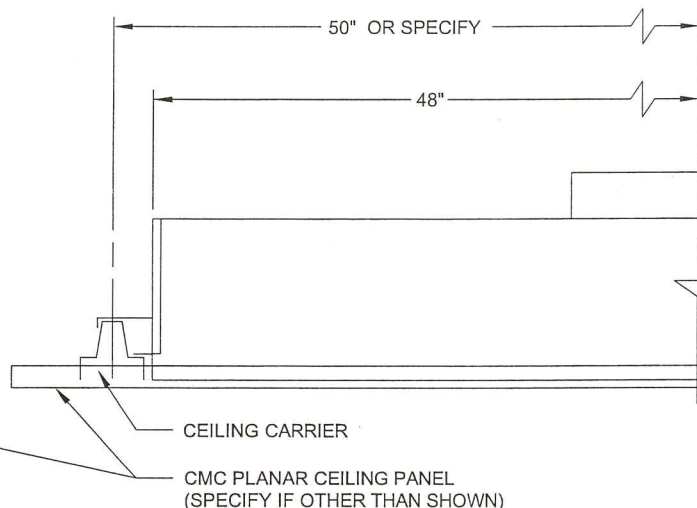
* W-DIMENSION

2-SLOT	10"
4-SLOT	16"
6-SLOT	24"
8-SLOT	32"

* BASED ON 4" CENTER TO CENTER OF SLOTS



2-SLOT, 2-WAY PATTERN SHOWN



FEATURES

- 24 GAUGE GALVANNEALED STEEL.
- REVERSIBLE PATTERN CONTROL VANES ATTACH TO CEILING PANELS FOR 1-WAY OR 2-WAY THROW. VANES ARE FLAT BLACK.
- TOP INLETS ARE STANDARD. SIDE OVAL INLETS ARE OPTIONAL. DIFFUSER HEIGHT WILL VARY WITH SIDE INLETS.
- LOWER FLANGES HAVE FOAM GASKETING TO PREVENT AIR LEAKAGE.

OPTIONS (SPECIFY)

- STEEL UNINSULATED
- STEEL WITH 1/2" INTERNAL INSULATION
- SUPPLY DIFFUSER WITH VANES
- DUCTED RETURN - NO VANES
- VANES ONLY - FOR OPEN RETURN WITHOUT PLENUM
- INLET DAMPER
- ___ NUMBER OF SLOTS
- ___ INLET SIZE

JOB NAME: _____

LOCATION: _____

ARCHITECT: _____

ENGINEER: _____

CONTRACTOR: _____

PC SERIES AIR DIFFUSERS FOR CHICAGO METALLIC PLANAR CEILING

DRAWN BY	DATE	DWG. NO.
RBJ	7-27-04	PC-01B

P.O. BOX 250
ALBION, IOWA 50005
PH. (641) 488-2211 FAX (641) 488-2796
www.raymon-hvac.com



RAYMON
DONCO AIR DISTRIBUTION EQUIPMENT