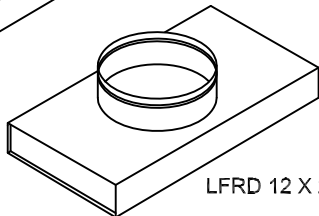
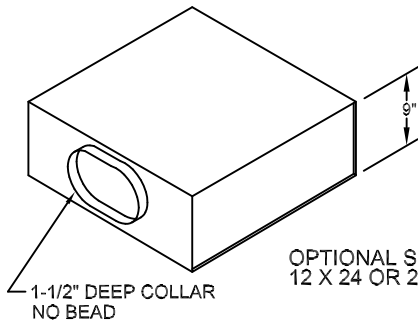


LFRD 24 X 24



LFRD 12 X 24


 OPTIONAL SIDE INLET MODEL  
12 X 24 OR 24 X 24

 1-1/2" DEEP COLLAR  
NO BEAD

**FEATURES**

- BLADES ARE SPACED AND ANGLED TO REDUCE VISIBILITY THROUGH THE GRILLE.
- COMPLETE GRILLE/PLENUM ASSEMBLY ELIMINATES THE NEED FOR TRANSITIONS.
- MATERIAL IS 24 GAUGE STEEL ON LOUVER FACE AND PLENUM. ALUMINUM LOUVER FACE IS OPTIONAL.
- FINISH IS POWDER COAT WHITE ON FACE. PLENUM BOX IS FLAT BLACK INSIDE.
- COLLAR IS 2.5" DEEP WITH RAISED BEAD FOR SECURE DUCT CONNECTION.

**OPTIONS (SPECIFY)**

- LFRD - 24X24 GRILLE & PLENUM ASSEMBLY
- LFRD - 12X24 GRILLE & PLENUM ASSEMBLY
- LFR - 24X24 GRILLE ONLY
- LFR - 12X24 GRILLE ONLY
- SIDE INLET (OPTIONAL)
- COLLAR SIZE (LFRD ONLY) 6, 8, 10, 12, 14, 16

 STANDARD INDUSTRY TOLERANCES APPLY. SPECIFICATIONS  
ARE SUBJECT TO CHANGE WITHOUT NOTICE.

JOB NAME: \_\_\_\_\_

LOCATION: \_\_\_\_\_

ARCHITECT: \_\_\_\_\_

ENGINEER: \_\_\_\_\_

CONTRACTOR: \_\_\_\_\_

**MODELS LFR/LFRD  
LOUVER FACE RETURN**

DRAWN BY: RBJ      DATE: 12-11-06      DWG. NO. LFR

**RAYMON** P.O. BOX 250 ALBION, IOWA 50005 www.raymon-hvac.com