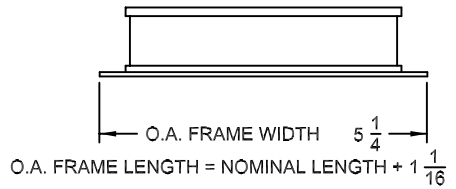
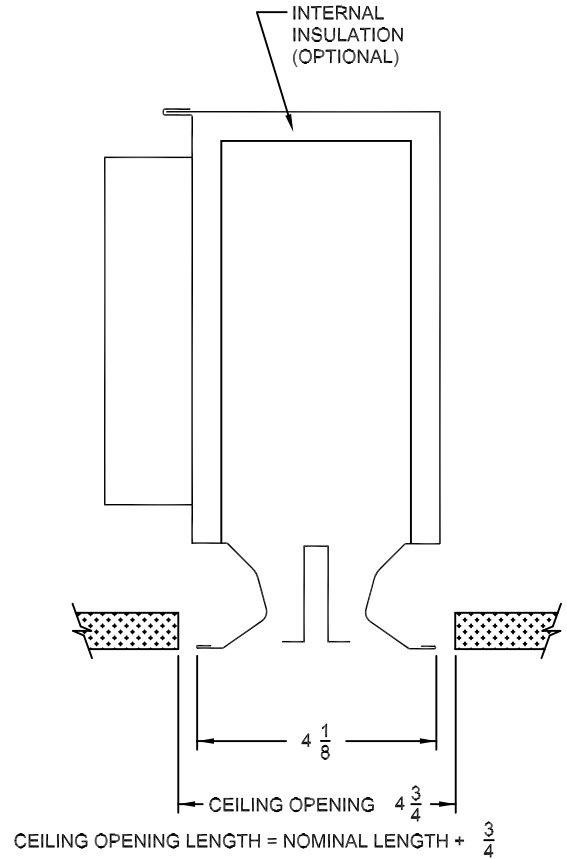
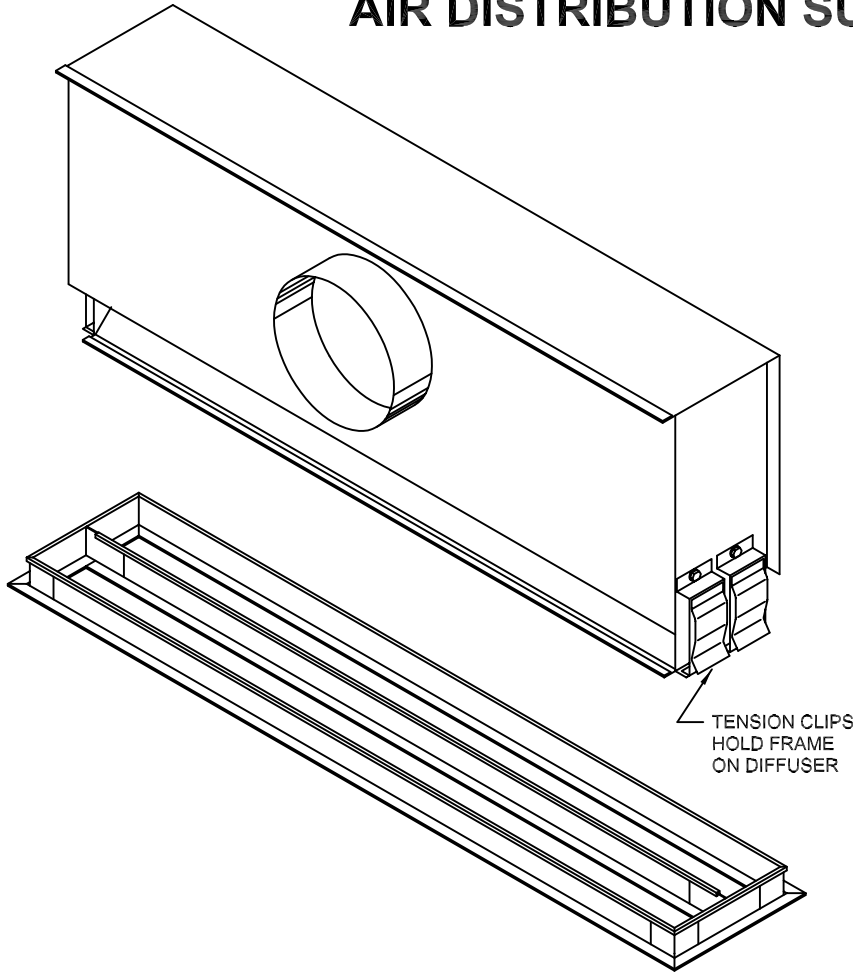


AIR DISTRIBUTION SUBMITTAL



ROOM VIEW
CENTER TEE BAR IS PART OF FRAME

J-22 MODEL SHOWN. OTHER SLOT CONFIGURATIONS ARE AVAILABLE. CONTACT FACTORY.

STANDARD INDUSTRY TOLERANCES APPLY. SPECIFICATIONS ARE SUBJECT TO CHANGE WITHOUT NOTICE.

FEATURES

- TENSION CLIPS ALLOW FRAME TO BE SNAPPED ON TO SUSPENDED DIFFUSER ELIMINATING THE NEED FOR EXPOSED SCREW FASTENERS.
- FIXED VANE DIFFUSER PROVIDES A DRAFTLESS AIR PATTERN OVER THE FULL RANGE OF FLOW. EXCELLENT FOR VARIABLE VOLUME.
- AVAILABLE IN NOMINAL LENGTHS FROM 24 TO 60 INCHES.
- DIFFUSER: 24 GAUGE GALVANNEALED STEEL.
- FRAME: EXTRUDED ALUMINUM WITH MITERED CORNERS.
- ALL EXPOSED SURFACES HAVE WHITE ENAMEL FINISH.

OPTIONS (SPECIFY)

- NON-INSULATED
- INTERNAL INSULATION
- INLET DAMPER
- ___ MODEL NUMBER
- ___ NOMINAL LENGTH
- ___ INLET SIZE

JOB NAME: _____
 LOCATION: _____
 ARCHITECT: _____
 ENGINEER: _____
 CONTRACTOR: _____

J-22 SLOT DIFFUSER WITH SURFACE MOUNT FRAME

DRAWN BY
MTV

DATE
5-19-97

DWG. NO.
J-22-TBF

P.O. BOX 250
 ALBION, IOWA 50005
 PH. (641) 488-2211 FAX (641) 488-2796
 www.raymon-hvac.com



RAYMON
DONCO AIR DISTRIBUTION EQUIPMENT