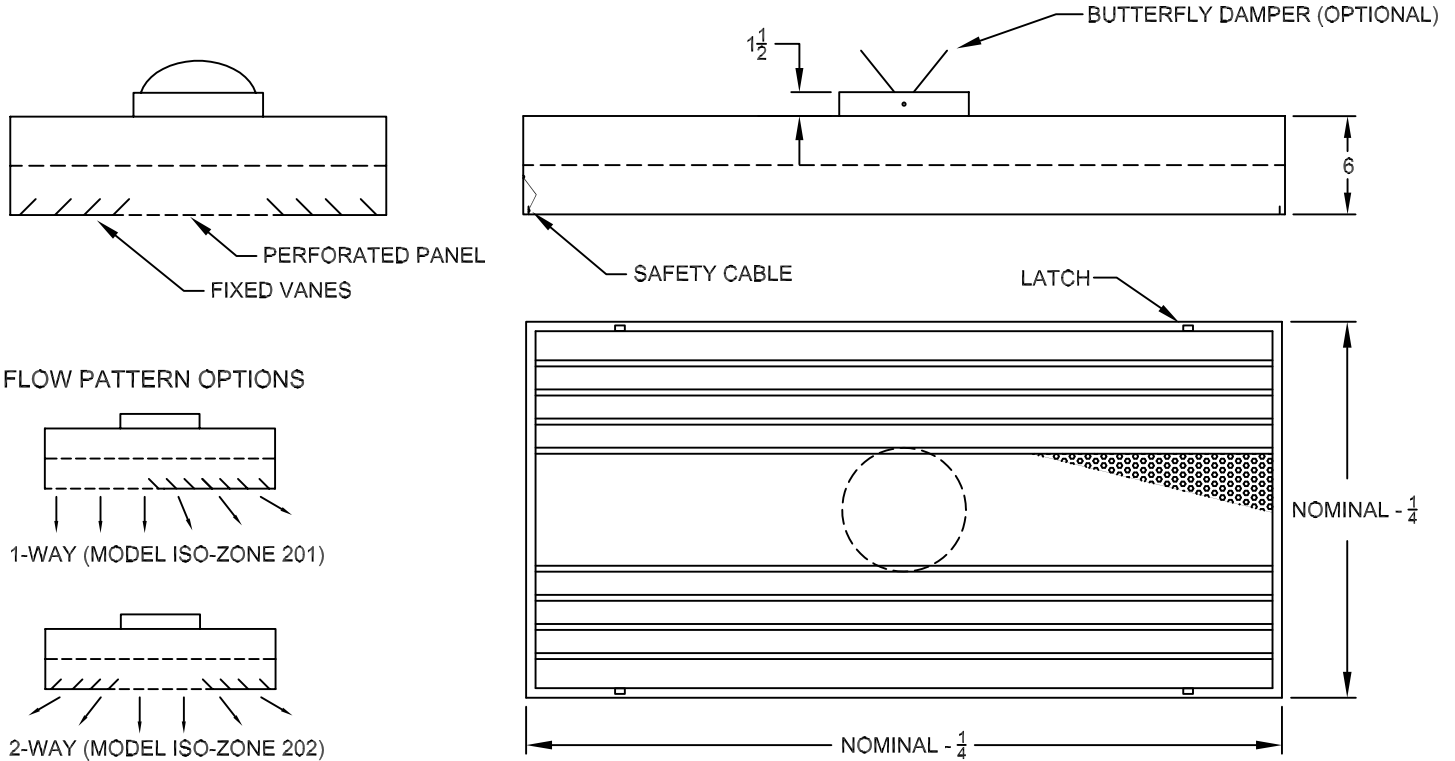
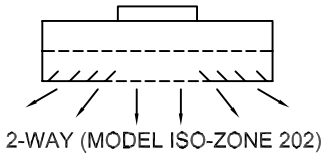
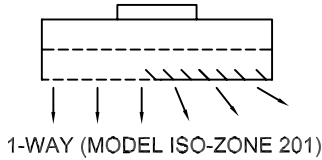


AIR DISTRIBUTION SUBMITTAL



FLOW PATTERN OPTIONS



FEATURES

- DONCO RADIAL FLOW DIFFUSERS ARE ENGINEERED TO CREATE A HEMISPHERICAL PATTERN OF HIGH VOLUME, LOW VELOCITY AIR.
- STANDARD CONSTRUCTION IS 24 GA. STEEL PLENUM AND A 20 GA. STEEL PERFORATED FACE.
- STANDARD FINISH IS BAKED POLYESTER WITH POWDER COATED FACE PANEL. COLOR WHITE
- ROUND INLET SIZE 6 THRU 12 INCH
- FACE AND INTERNAL BAFFLES ARE REMOVABLE WITHOUT TOOLS FOR CLEANING.
- SAFETY CABLES PREVENT ACCIDENTAL DROPPING OF THE FACE DURING REMOVAL.
- THE STANDARD DIFFUSER IS DESIGNED FOR 15/16 TEE GRID LAY IN INSTALLATIONS. DIFFUSERS ARE AVAILABLE FOR WIDER TEE APPLICATIONS. CONTACT FACTORY WITH SPECIFIC REQUIREMENTS.
- OPTIONAL VOLUME DAMPER CAN BE ADJUSTED FROM THE FACE.

OPTIONS (SPECIFY)

- ___ SIZE (24 x 48, 24 x 24, 12 x 48)
- ___ INLET SIZE
- VOLUME DAMPER
- SURFACE MOUNT FRAME
- 201 - 1 WAY
- 202 - 2 WAY

CONTACT FACTORY FOR ALUMINUM OR STAINLESS STEEL APPLICATIONS.

STANDARD INDUSTRY TOLERANCES APPLY. SPECIFICATIONS ARE SUBJECT TO CHANGE WITHOUT NOTICE.

JOB NAME: _____
 LOCATION: _____
 ARCHITECT: _____
 ENGINEER: _____
 CONTRACTOR: _____

ISO-ZONE™ 200 SERIES RADIAL FLOW CRITICAL ENVIRONMENT DIFFUSER

DRAWN BY

JLH

DATE

10-14-02

DWG. NO.

IZ-200

P.O. BOX 250
 ALBION, IOWA 50005
 PH. (641) 488-2211 FAX (641) 488-2796
 www.raymon-hvac.com



RAYMON
 DONCO AIR DISTRIBUTION EQUIPMENT