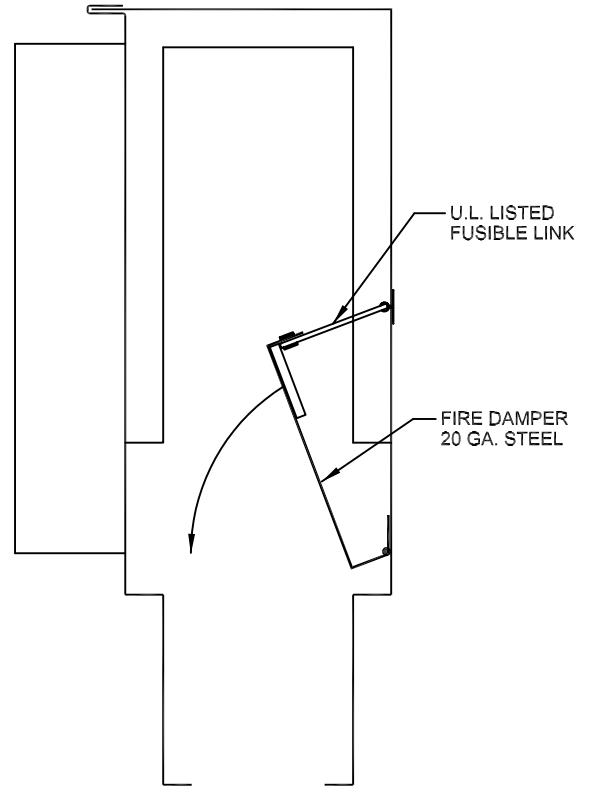
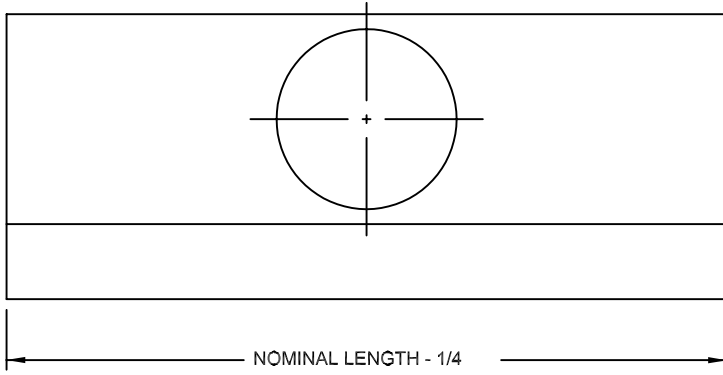


AIR DISTRIBUTION SUBMITTAL

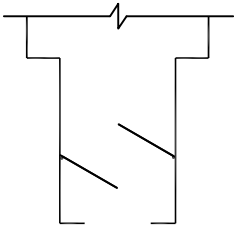


Donco Fire Damper Diffusers are available in many pattern control configurations and are designed for use with a wide variety of suspended ceilings. Each unit includes a damper blade held in the open position by a fusible link designed to melt at 212 °F.

For available widths, lengths, and other options refer to submittal of specific diffuser series or contact factory. Detail compatibility drawings for specific job requirements are available on request. When ordering specify SFD (Slot Fire Damper) at the end of the product number.

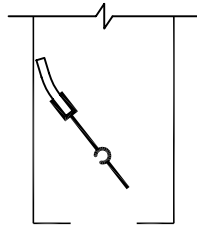
PATTERN CONTROL CONFIGURATIONS

M-SERIES
ADJUSTABLE VANE DIFFUSER



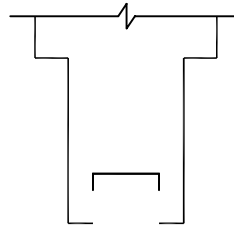
- LEFT, RIGHT OR VERTICAL THROW
- DAMPERING

DCD SERIES
ADJUSTABLE VANE DIFFUSER



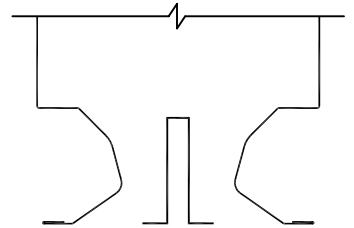
- LEFT, RIGHT OR VERTICAL THROW

2000 SERIES
SLIDING AIR BAR DIFFUSER



- LEFT, RIGHT OR VERTICAL THROW

J-SERIES
FIXED VANE DIFFUSER



- FIXED AIR PATTERN

STANDARD INDUSTRY TOLERANCES APPLY. SPECIFICATIONS ARE SUBJECT TO CHANGE WITHOUT NOTICE.

JOB NAME: _____
 LOCATION: _____
 ARCHITECT: _____
 ENGINEER: _____
 CONTRACTOR: _____

FUSIBLE LINK FIRE DAMPER DIFFUSERS

DRAWN BY
MTV

DATE
3-21-89

DWG. NO.
FD

P.O. BOX 250
 ALBION, IOWA 50005
 PH. (641) 488-2211 FAX (641) 488-2796
 www.raymon-hvac.com



RAYMON
 DONCO AIR DISTRIBUTION EQUIPMENT