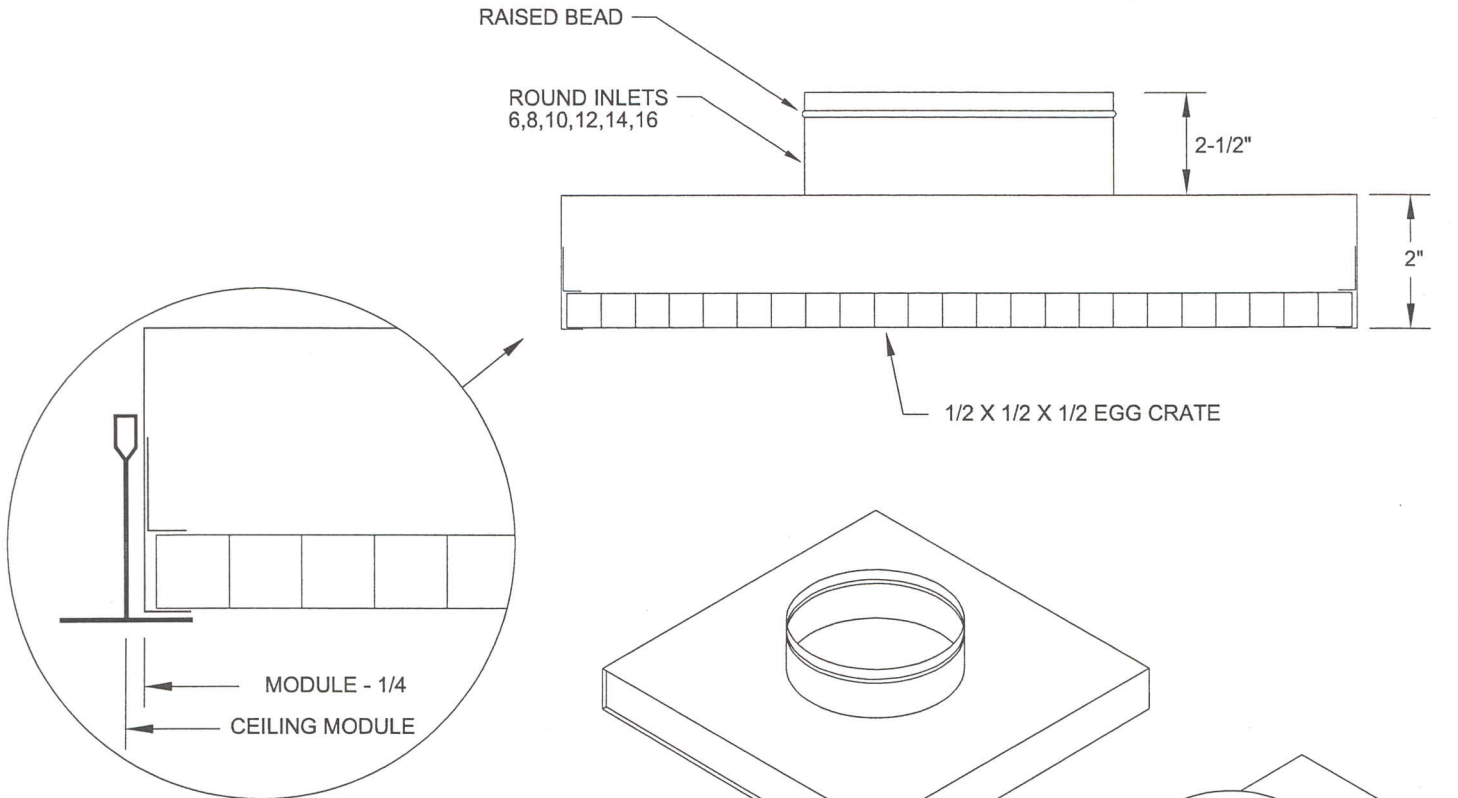


AIR DISTRIBUTION SUBMITTAL



STANDARD TEE BAR GRID LAY-IN

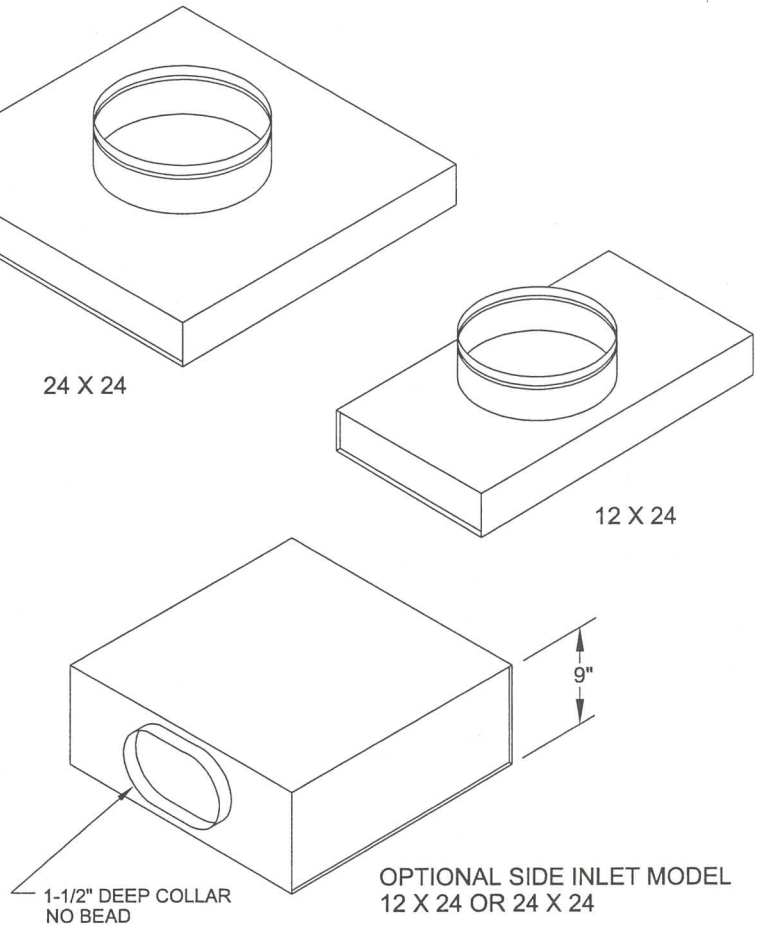
FEATURES

- ONE PIECE GRILLE AND PLENUM ASSEMBLY READY FOR LAY-IN INSTALLATION.
- EGG CRATE FACE IS ALUMINUM WITH DONCO #26 WHITE FINISH.
- PLENUM IS 24 GAUGE STEEL WITH BLACK INTERIOR.
- TOP ROUND DUCT COLLARS ARE 2-1/2" DEEP WITH BEAD FOR SECURE DUCT CONNECTION.
- SIDE OVAL INLETS ARE 1-1/2" DEEP WITH NO BEAD.

OPTIONS (SPECIFY)

- NOMINAL 24 X 24
- NOMINAL 12 X 24 (MAX COLLAR 10")
- TOP ROUND COLLAR (STANDARD)
- SIDE OVAL COLLAR ON 9" TALL HOUSING (OPTIONAL)
- ___ COLLAR SIZE

STANDARD INDUSTRY TOLERANCES APPLY. SPECIFICATIONS ARE SUBJECT TO CHANGE WITHOUT NOTICE.



JOB NAME: _____
 LOCATION: _____
 ARCHITECT: _____
 ENGINEER: _____
 CONTRACTOR: _____

ECRD EGG CRATE GRILLE WITH INTEGRAL PLENUM

DRAWN BY: RBJ DATE: 10-24-05 DWG. NO.: ECRD

P.O. BOX 250
 ALBION, IOWA 50005
 PH. (641) 488-2211 FAX (641) 488-2796
 www.raymon-hvac.com



RAYMON
 DONCO AIR DISTRIBUTION EQUIPMENT