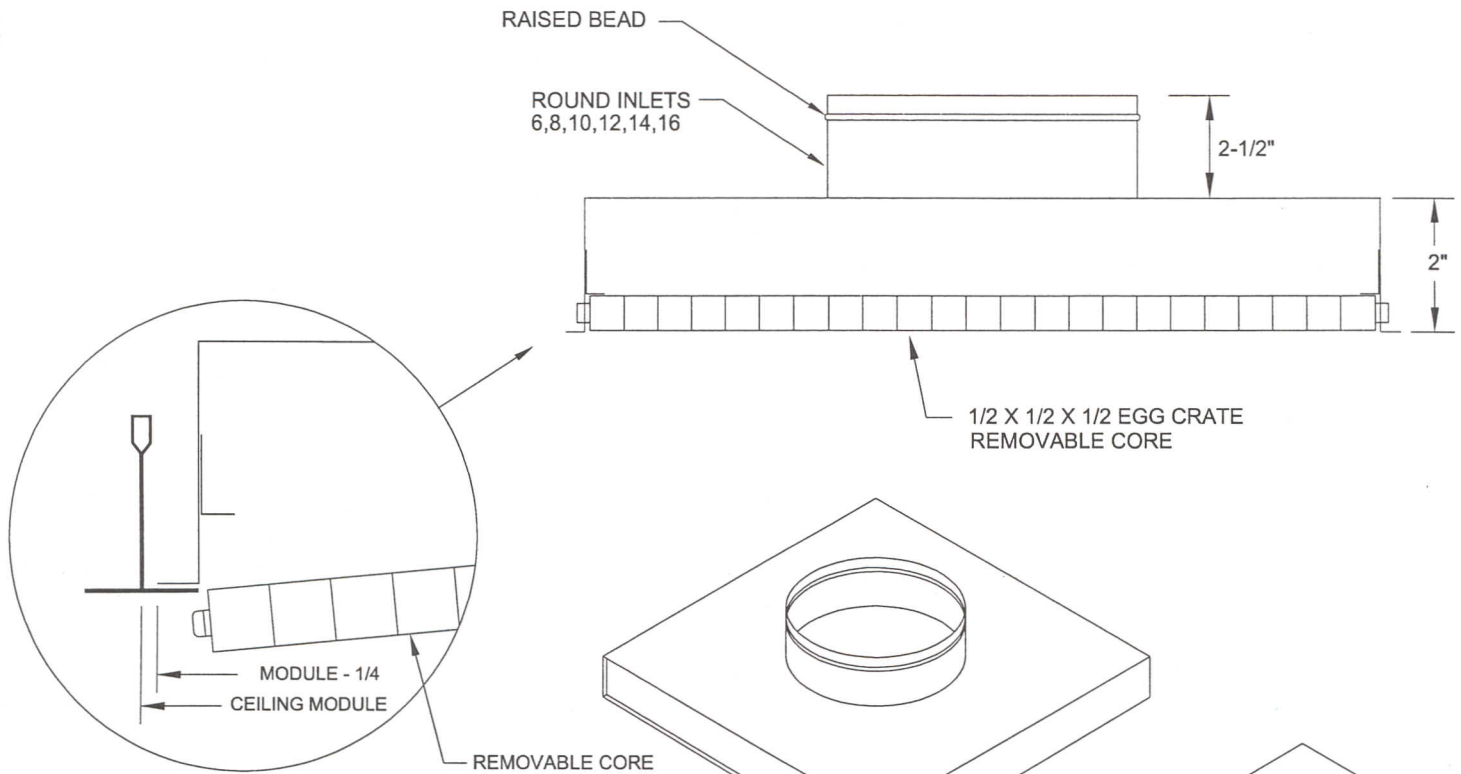
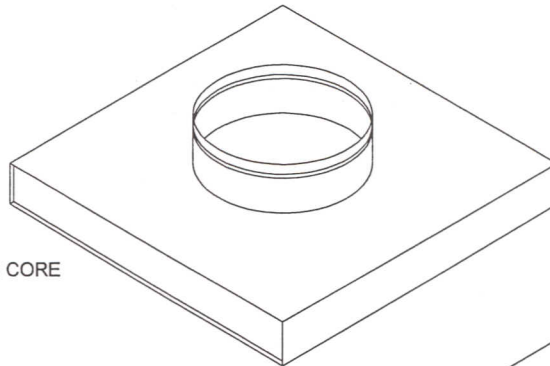


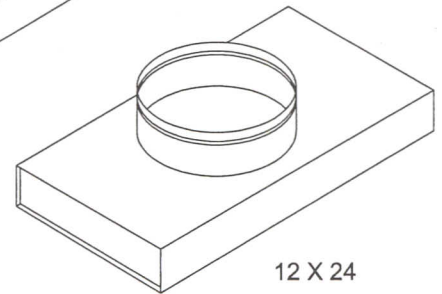
AIR DISTRIBUTION SUBMITTAL



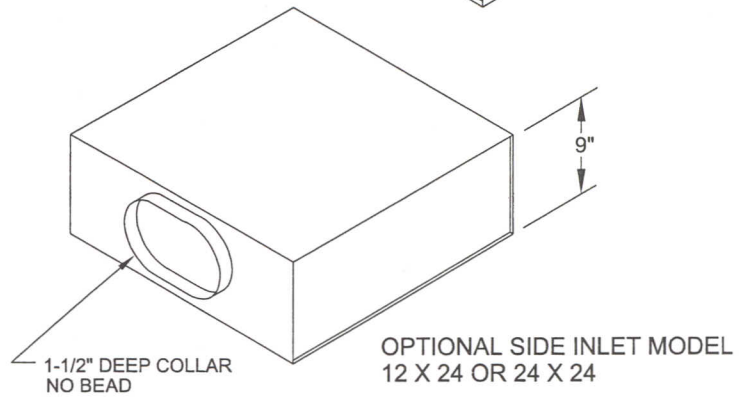
STANDARD TEE BAR GRID LAY-IN



24 X 24



12 X 24



1-1/2" DEEP COLLAR
NO BEAD

OPTIONAL SIDE INLET MODEL
12 X 24 OR 24 X 24

FEATURES

- GRILLE AND PLENUM ASSEMBLY READY FOR LAY-IN INSTALLATION.
- EGG CRATE FACE IS ALUMINUM WITH DONCO #26 WHITE FINISH.
- EGG CRATE CORE IS REMOVABLE FOR CLEANING.
- PLENUM IS 24 GAUGE STEEL WITH BLACK INTERIOR.
- TOP ROUND DUCT COLLARS ARE 2-1/2" DEEP WITH BEAD FOR SECURE DUCT CONNECTION.
- SIDE OVAL INLETS ARE 1-1/2" DEEP WITH NO BEAD.

OPTIONS (SPECIFY)

- NOMINAL 24 X 24
- NOMINAL 12 X 24 (MAX COLLAR 10")
- TOP ROUND COLLAR (STANDARD)
- SIDE OVAL COLLAR ON 9" TALL HOUSING (OPTIONAL)
- ___ COLLAR SIZE

STANDARD INDUSTRY TOLERANCES APPLY. SPECIFICATIONS ARE SUBJECT TO CHANGE WITHOUT NOTICE.

JOB NAME: _____
 LOCATION: _____
 ARCHITECT: _____
 ENGINEER: _____
 CONTRACTOR: _____

ECRD-RC EGG CRATE GRILLE WITH INTEGRAL PLENUM AND REMOVABLE CORE

DRAWN BY
RBJ

DATE
10-24-05

DWG. NO.
ECRD-RC

P.O. BOX 250
 ALBION, IOWA 50005
 PH. (641) 488-2211 FAX (641) 488-2796
 www.raymon-hvac.com



RAYMON
DONCO AIR DISTRIBUTION EQUIPMENT