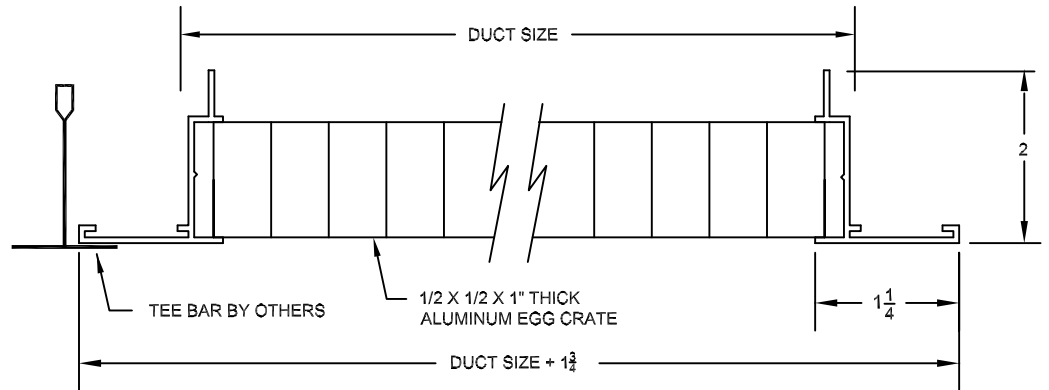


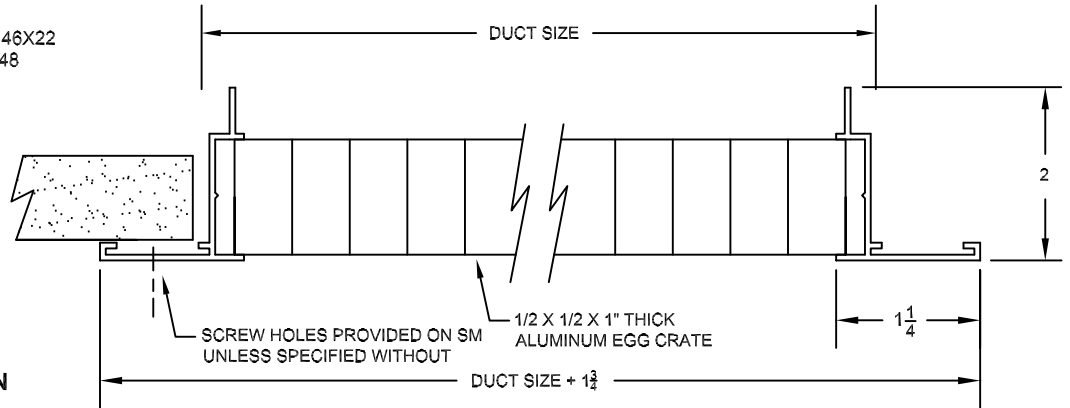
### 1" THICK CORE



#### STANDARD TEE BAR LAY-IN

MODEL ECR-B-TB  
 EX: ECR-B-TB-2222  
 (22 X 22 DUCT SIZE WITH 23.75 X 23.75 OVERALL FACE)

AVAILABLE DUCT SIZES FROM 22X10 TO 46X22  
 FOR CEILING TEE MODULES OF 12, 24 & 48



#### SURFACE MOUNT APPLICATION

MODEL ECR-B-SM  
 EX: ECR-B-SM-2424  
 (24 X 24 DUCT SIZE WITH 25.75 X 25.75 OVERALL FACE)

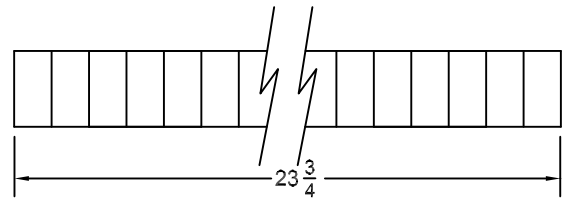
AVAILABLE DUCT SIZES FROM 6X6 TO 48X24

#### FEATURES

- ALUMINUM CONSTRUCTION
- ONE PIECE CORE (NOT STACKED) 1" THICK
- STANDARD COLOR IS DONCO #26 WHITE. CONTACT FACTORY FOR OTHER OPTIONS.
- AVAILABLE FOR STANDARD TEE BAR LAY-IN OR SURFACE MOUNT. CONTACT FACTORY FOR OTHER APPLICATIONS.
- LIGHT SHIELDS ARE AVAILABLE.

#### OPTIONS (SPECIFY)

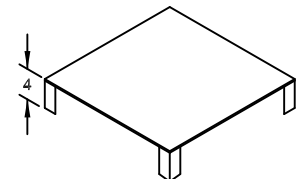
- ECR-B-TB TEE BAR LAY-IN
- ECR-B-SM SURFACE MOUNT W/SCREW HOLES
- ECR-B-C CORE ONLY FOR LAY-IN (NO FRAME)
- \_\_\_ SIZE (USE MODEL # EXAMPLES ABOVE)



#### CORE ONLY (NO FRAME)

MODEL ECR-B-C  
 EX: ECR-B-C -2424 (23.75 X 23.75 OVERALL)  
 AVAILABLE SIZES: 2412, 2424 & 4824

#### LIGHT SHIELD OPTION



STANDARD INDUSTRY TOLERANCES APPLY. SPECIFICATIONS ARE SUBJECT TO CHANGE WITHOUT NOTICE.

JOB NAME: \_\_\_\_\_  
 LOCATION: \_\_\_\_\_  
 ARCHITECT: \_\_\_\_\_  
 ENGINEER: \_\_\_\_\_  
 CONTRACTOR: \_\_\_\_\_

## MODEL ECR-B

### 1" THICK EGG CRATE GRILLE

DRAWN BY: RBJ      DATE: 10-24-05      DWG. NO. ECR-B

**RAYMON** P.O. BOX 250 ALBION, IOWA 50005 www.raymon-hvac.com