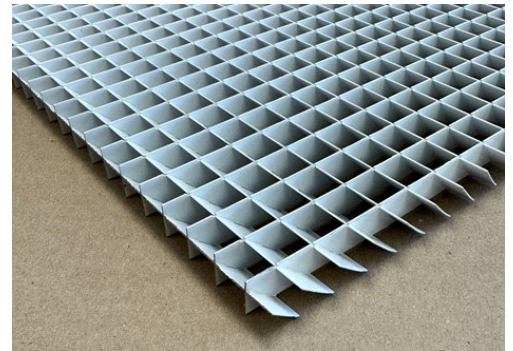


The 45 degree core limits the line of sight through the grille to conceal undesirable objects behind the ceiling or wall surface.

Open area is maintained for the high capacity return grille.

Reduce or eliminate the need for light shields.



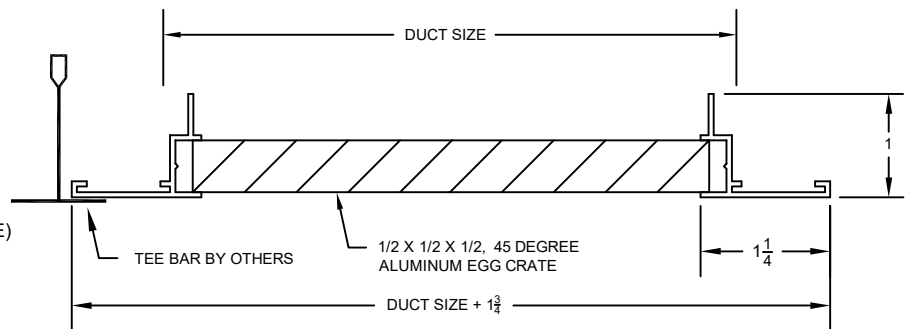
#### STANDARD TEE BAR LAY-IN

MODEL ECR-45-TB

EX: ECR-45-TB-2222

(22 X 22 DUCT SIZE WITH 23.75 X 23.75 OVERALL FACE)

AVAILABLE DUCT SIZES FROM 22X10 TO 46X22 FOR CEILING TEE MODULES OF 12, 24 & 48



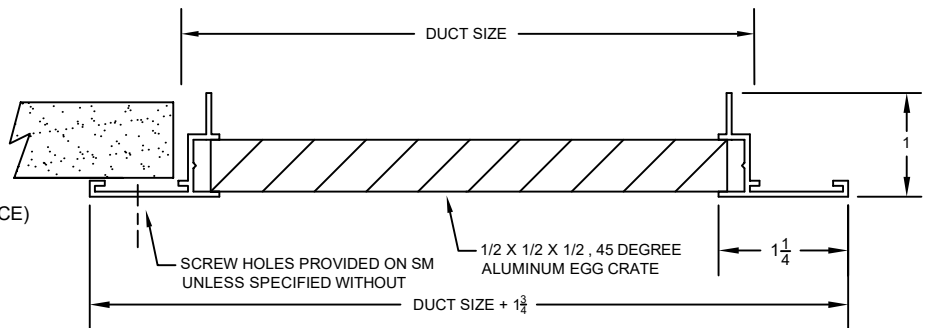
#### SURFACE MOUNT APPLICATION

MODEL ECR-45-SM

EX: ECR-45-SM-2424

(24 X 24 DUCT SIZE WITH 25.75 X 25.75 OVERALL FACE)

AVAILABLE DUCT SIZES FROM 6X6 TO 48X12



#### FEATURES

- ALUMINUM CONSTRUCTION
- 45 DEGREE ANGLED CORE BLOCKS THE VIEW OF OBJECTS BEHIND THE CEILING OR WALL.
- AVAILABLE FOR STANDARD TEE BAR LAY-IN OR SURFACE MOUNT. CONTACT FACTORY FOR OTHER APPLICATIONS.
- PLENUMS AND LIGHT SHIELDS ARE AVAILABLE.
- STANDARD COLOR IS RAYMON #26 WHITE. CONTACT FACTORY FOR OTHER OPTIONS.

#### OPTIONS (SPECIFY)

- ECR-45-TB TEE BAR LAY-IN
- ECR-45-SM SURFACE MOUNT W/SCREW HOLES
- ECR-45-C CORE ONLY FOR LAY-IN (NO FRAME)
- \_\_\_ SIZE (USE MODEL # EXAMPLES ABOVE)

*STANDARD INDUSTRY TOLERANCES APPLY. SPECIFICATIONS ARE SUBJECT TO CHANGE WITHOUT NOTICE.*

JOB NAME: \_\_\_\_\_

LOCATION: \_\_\_\_\_

ARCHITECT: \_\_\_\_\_

ENGINEER: \_\_\_\_\_

CONTRACTOR: \_\_\_\_\_

## MODEL ECR-45-SM, ECR-45-TB 45 DEGREE EGG CRATE RETURN GRILLES

DRAWN BY: RBJ      DATE: 01-18-24      DWG. NO. ECR-45

**RAYMON** P.O. BOX 250 ALBION, IOWA 50005 www.raymon-hvac.com