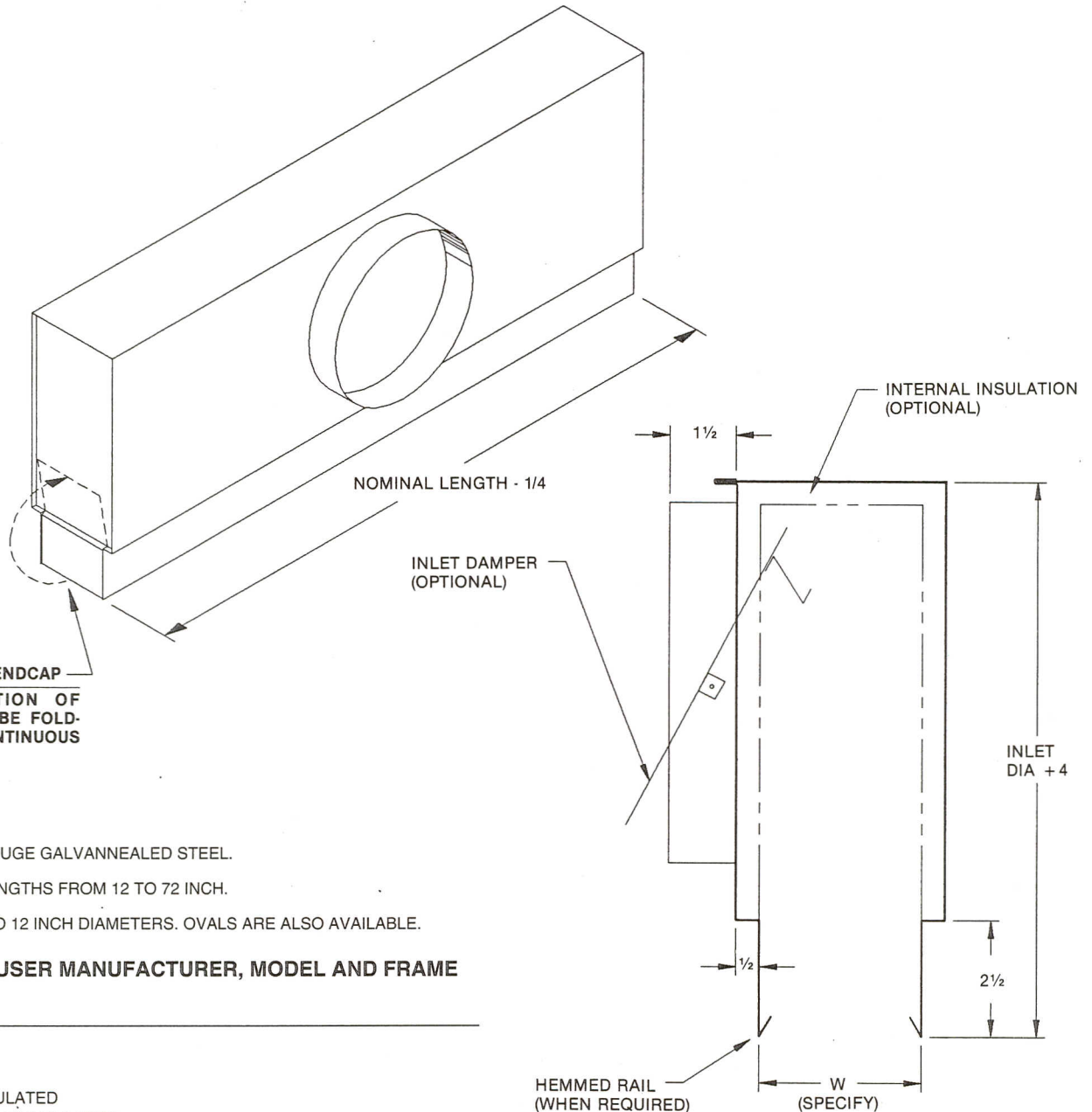


# AIR DISTRIBUTION SUBMITTAL



**UNIVERSAL ENDCAP**  
 LOWER PORTION OF ENDCAP MAY BE FOLDED UP FOR CONTINUOUS APPLICATIONS.

## FEATURES

- MATERIAL: 24 GAUGE GALVANNEALED STEEL.
- AVAILABLE IN LENGTHS FROM 12 TO 72 INCH.
- INLET SIZES: 5 TO 12 INCH DIAMETERS. OVALS ARE ALSO AVAILABLE.

**SPECIFY DIFFUSER MANUFACTURER, MODEL AND FRAME STYLE:**

---

## OPTIONS

- DP-N NON-INSULATED
- DP-L INTERNALLY INSULATED
- DP-EX EXTERNALLY INSULATED
- \_\_\_ NOMINAL LENGTH
- \_\_\_ NUMBER OF SLOTS
- \_\_\_ W DIMENSION
- \_\_\_ INLET SIZE

PLENUMS ARE ALSO AVAILABLE FOR SPECIAL APPLICATIONS. CONTACT FACTORY.

STANDARD INDUSTRY TOLERANCES APPLY. SPECIFICATIONS ARE SUBJECT TO CHANGE WITHOUT NOTICE.

JOB NAME: \_\_\_\_\_  
 LOCATION: \_\_\_\_\_  
 ARCHITECT: \_\_\_\_\_  
 ENGINEER: \_\_\_\_\_  
 CONTRACTOR: \_\_\_\_\_

## DP SERIES DISTRIBUTION PLENUMS

DRAWN BY  
 MTV

DATE  
 7-16-97

DWG. NO.  
 DP-A

P.O. BOX 250  
 ALBION, IOWA 50005  
 PH. (641) 488-2211 FAX (641) 488-2796  
 www.raymon-hvac.com



**RAYMON**  
 DONCO AIR DISTRIBUTION EQUIPMENT