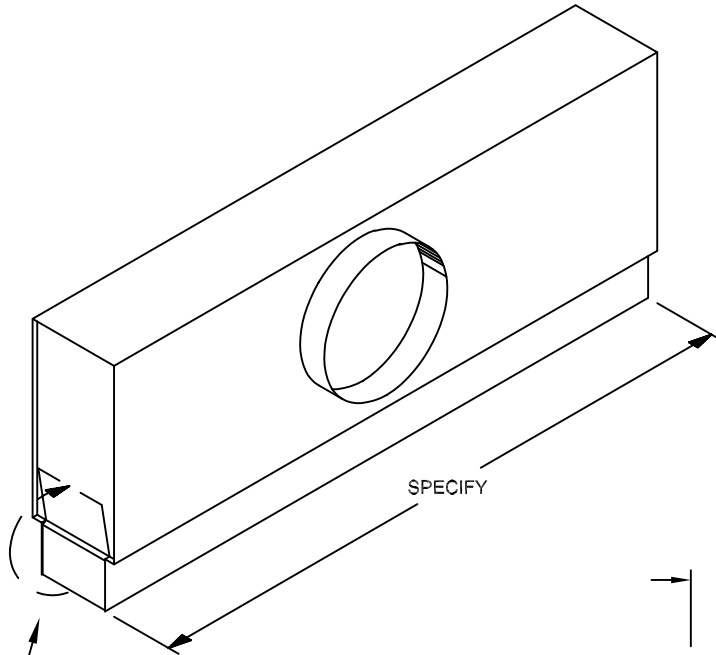


AIR DISTRIBUTION SUBMITTAL



UNIVERSAL ENDCAP
LOWER PORTION OF ENDCAP MAY BE FOLDED UP FOR CONTINUOUS APPLICATIONS.

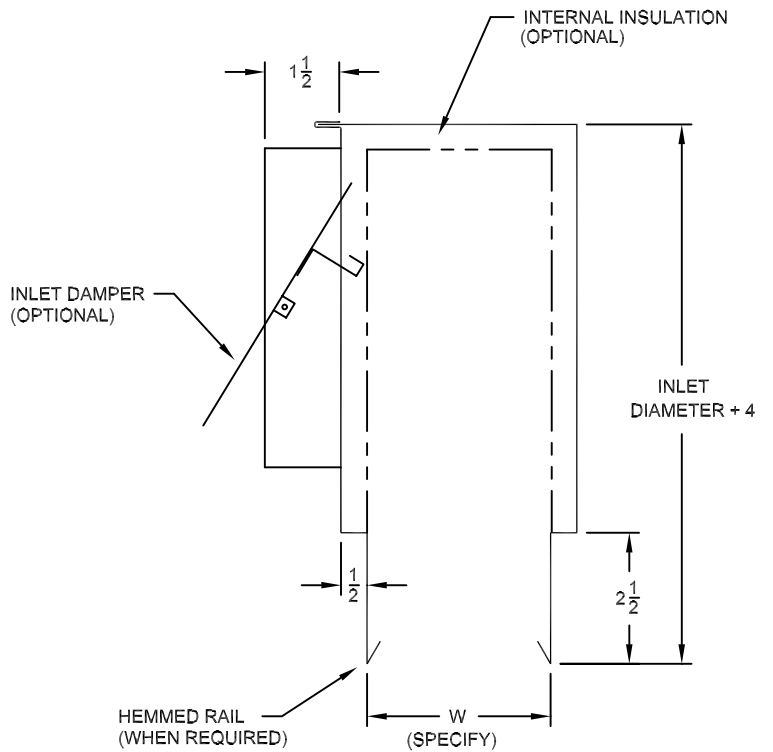
FEATURES

- MATERIAL: 24 GAUGE GALVANNEALED STEEL.
- AVAILABLE IN LENGTHS FROM 12 TO 72 INCH.
- INLET SIZES: 5 TO 12 INCH DIAMETERS. OVALS ALSO AVAILABLE.

SPECIFY DIFFUSER MANUFACTURER, MODEL AND FRAME STYLE:

OPTIONS (SPECIFY)

- DP-N NON-INSULATED
 DP-L INTERNALLY INSULATED
 DP-EX EXTERNALLY INSULATED
- ___ NOMINAL LENGTH
 ___ NUMBER OF SLOTS
 ___ W DIMENSION
 ___ INLET SIZE



PLENUMS ARE ALSO AVAILABLE FOR SPECIAL APPLICATIONS. CONTACT FACTORY

STANDARD INDUSTRY TOLERANCES APPLY. SPECIFICATIONS ARE SUBJECT TO CHANGE WITHOUT NOTICE.

JOB NAME: _____
 LOCATION: _____
 ARCHITECT: _____
 ENGINEER: _____
 CONTRACTOR: _____

DP SERIES DISTRIBUTION PLENUMS

DRAWN BY
RBJ

DATE
10-4-07

DWG. NO.
DP-A

P.O. BOX 250
 ALBION, IOWA 50005
 PH. (641) 488-2211 FAX (641) 488-2796
 www.raymon-hvac.com



RAYMON
 DONCO AIR DISTRIBUTION EQUIPMENT