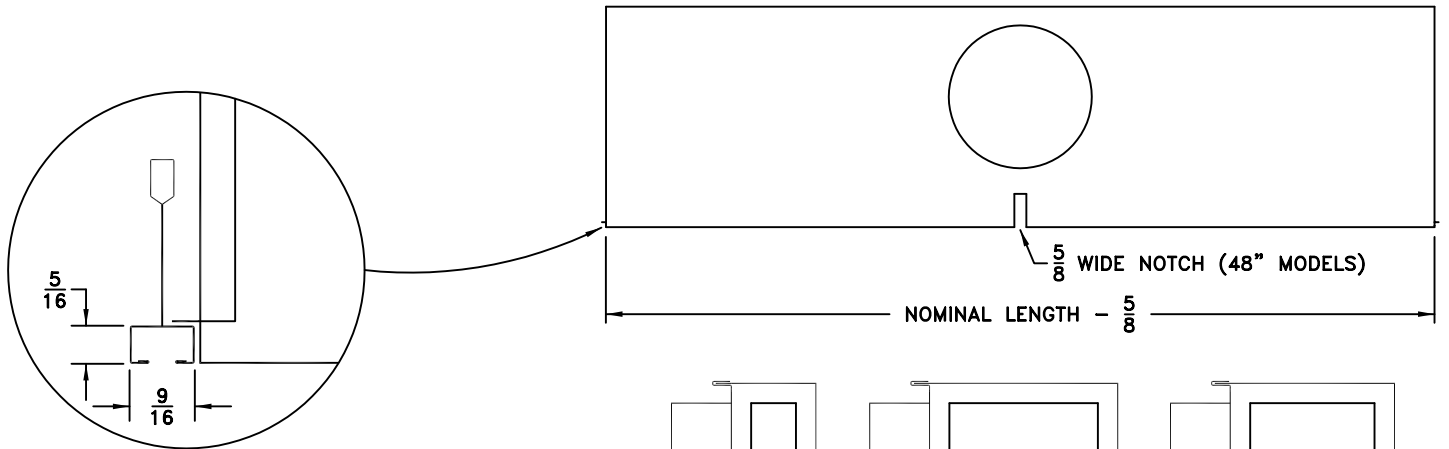


AIR DISTRIBUTION SUBMITTAL



END BRACKET DETAIL

FEATURES

- SUPPORT BRACKETS ON EACH END ALLOW DIFFUSER TO MOUNT FLUSH WITH CEILING PLANE.
- ALUMINUM VANE WITH FELT SEAL IS ADJUSTABLE FROM THE FACE FOR LEFT, RIGHT OR VERTICAL THROW.
- AVAILABLE IN NOMINAL LENGTHS FROM 24 TO 60 INCH. SLOT WIDTHS OF 3/4, 1, 1-1/2 INCH.
- MATERIAL: 24 GAUGE GALVANNEALED STEEL.
- ALL EXPOSED SURFACES PAINTED FLAT BLACK. FACTORY INSTALLED TEE BARS ARE WHITE.

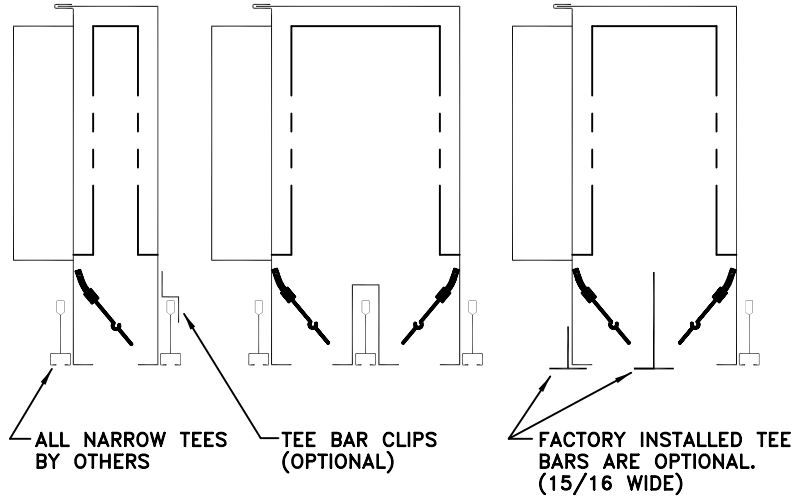
OPTIONS (SPECIFY)

- NON-INSULATED
- INTERNAL INSULATION
- INLET DAMPER
- ___ NOMINAL LENGTH
- ___ NUMBER OF SLOTS
- ___ SLOT WIDTH
- ___ INLET SIZE
- ___ FACTORY TEE BARS (SPECIFY LOCATION)
- ___ TEE BAR CLIPS

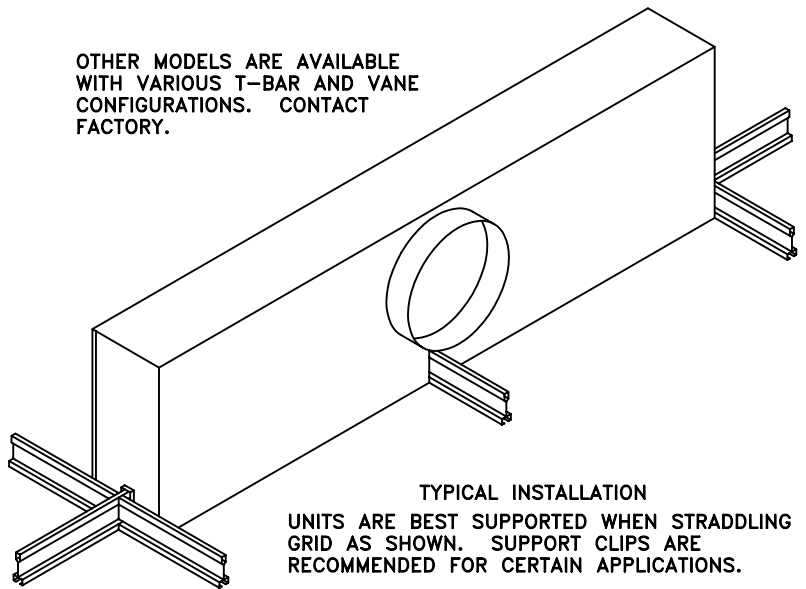
SPECIFY CEILING MANUFACTURER AND GRID NAME

EXAMPLE: DONN FINELINE

STANDARD INDUSTRY TOLERANCES APPLY. SPECIFICATIONS ARE SUBJECT TO CHANGE WITHOUT NOTICE.



OTHER MODELS ARE AVAILABLE WITH VARIOUS T-BAR AND VANE CONFIGURATIONS. CONTACT FACTORY.



TYPICAL INSTALLATION

UNITS ARE BEST SUPPORTED WHEN STRADDLING GRID AS SHOWN. SUPPORT CLIPS ARE RECOMMENDED FOR CERTAIN APPLICATIONS.

JOB NAME: _____
 LOCATION: _____
 ARCHITECT: _____
 ENGINEER: _____
 CONTRACTOR: _____

DCD-SERIES SLOT DIFFUSERS
COMPATIBLE WITH DONN FINELINE, CHICAGO
METALLIC ULTRALINE AND SIMILAR NARROW
REGRESS GRID SYSTEMS

DRAWN BY
MTV

DATE
6-25-90

DWG. NO.
DCD-FL

P.O. BOX 250
 ALBION, IOWA 50005
 PH. (641) 488-2211 FAX (641) 488-2796
 www.raymon-hvac.com



RAYMON
DONCO AIR DISTRIBUTION EQUIPMENT