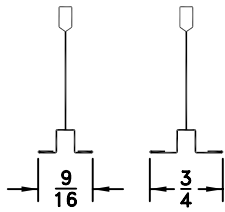
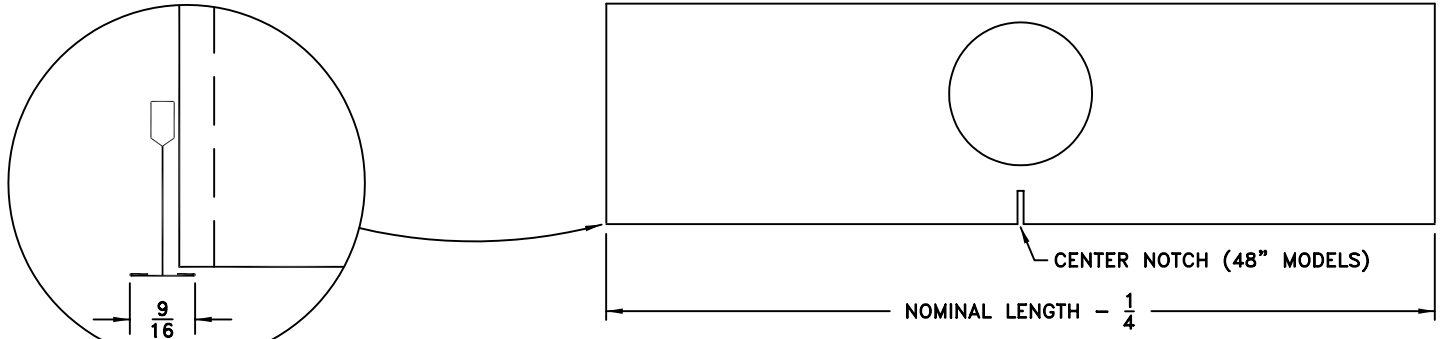
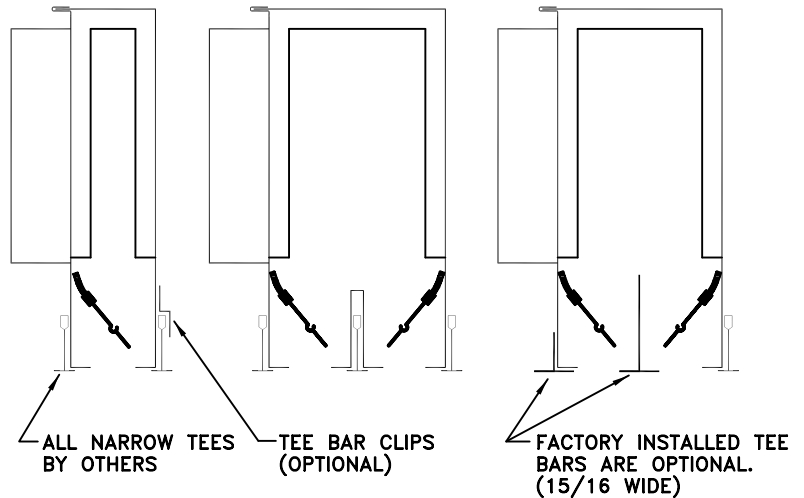


AIR DISTRIBUTION SUBMITTAL



DIFFUSERS ARE ALSO AVAILABLE FOR NARROW REVEAL TYPE GRID SYSTEMS



FEATURES

- ALUMINUM VANE WITH FELT SEAL IS ADJUSTABLE FROM THE FACE FOR LEFT, RIGHT OR VERTICAL THROW.
- AVAILABLE IN NOMINAL LENGTHS FROM 24 TO 60 INCH. SLOT WIDTHS OF 3/4, 1, 1-1/2 INCH.
- MATERIAL: 24 GAUGE GALVANNEALED STEEL.
- ALL EXPOSED SURFACES PAINTED FLAT BLACK. FACTORY INSTALLED TEE BARS ARE WHITE.

OPTIONS (SPECIFY)

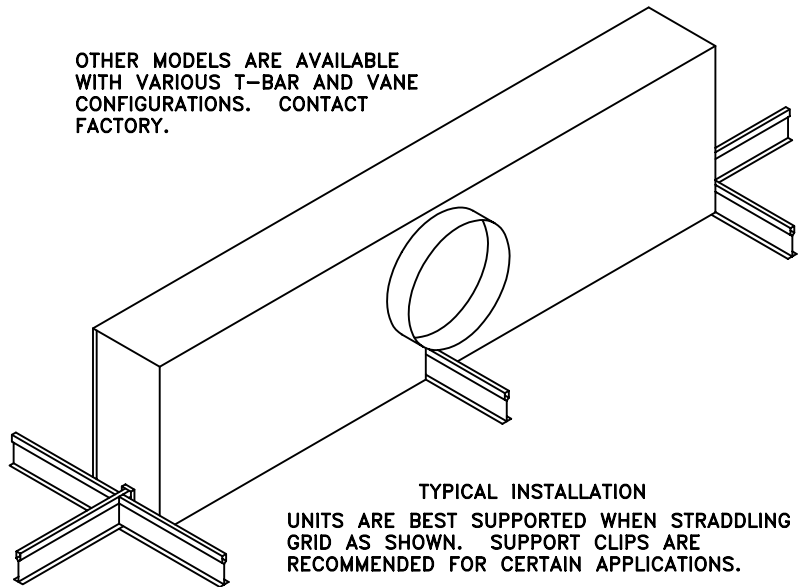
- NON-INSULATED
- INTERNAL INSULATION
- INLET DAMPER
- ___ NOMINAL LENGTH
- ___ NUMBER OF SLOTS
- ___ SLOT WIDTH
- ___ INLET SIZE
- ___ FACTORY TEE BARS (SPECIFY LOCATION)
- ___ TEE BAR CLIPS

SPECIFY CEILING MANUFACTURER AND GRID NAME

EXAMPLE: CHICAGO METALLIC - TEMPRA 4000

STANDARD INDUSTRY TOLERANCES APPLY. SPECIFICATIONS ARE SUBJECT TO CHANGE WITHOUT NOTICE.

OTHER MODELS ARE AVAILABLE WITH VARIOUS T-BAR AND VANE CONFIGURATIONS. CONTACT FACTORY.



JOB NAME: _____

LOCATION: _____

ARCHITECT: _____

ENGINEER: _____

CONTRACTOR: _____

DCD-SERIES SLOT DIFFUSERS
COMPATIBLE WITH 9/16 NARROW FACE
AND NARROW REVEAL GRID SYSTEMS

DRAWN BY
MTV

DATE
6-25-90

DWG. NO.
DCD-916

P.O. BOX 250
ALBION, IOWA 50005
PH. (641) 488-2211 FAX (641) 488-2796
www.raymon-hvac.com



RAYMON
DONCO AIR DISTRIBUTION EQUIPMENT