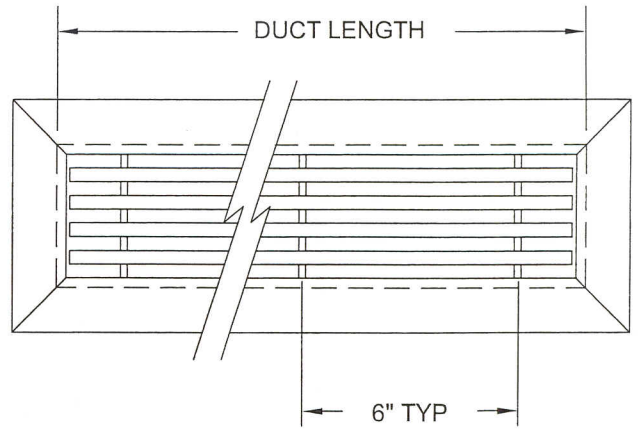
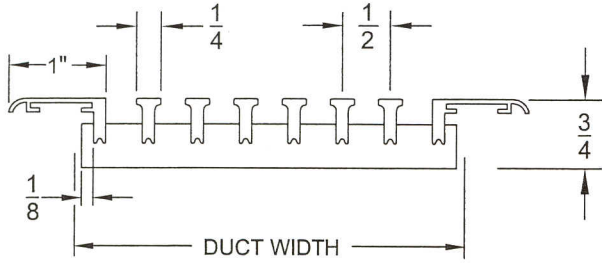


AIR DISTRIBUTION SUBMITTAL



| DUCT WIDTH | NUMBER OF BARS |
|------------|----------------|
| 1 1/2 | 1 |
| 2 | 2 |
| 2 1/2 | 3 |
| 3 | 4 |
| 3 1/2 | 5 |
| 4 | 6 |
| 5 | 8 |
| 6 | 10 |
| 8 | 14 |
| 10 | 18 |
| 12 | 22 |
| 14 | 26 |
| 16 | 30 |
| 18 | 34 |
| 20 | 38 |
| 22 | 42 |
| 24 | 46 |

DBG-350
 1/4" WIDE BAR
 1/2" SPACING
 0 DEG. DEFLECTION

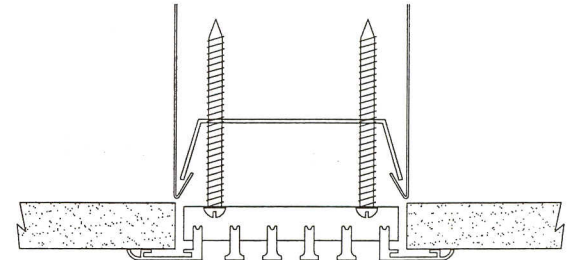
FEATURES

- ALL ALUMINUM CONSTRUCTION
- 1/4" WIDE FIXED POSITION BARS AT 1/2" CENTERS
- END TERMINATIONS ARE MITERED
MINIMUM DUCT WIDTH IS 1 1/2"
- MAXIMUM LENGTH PER SECTION IS 96"
- ALIGNMENT STRIPS PROVIDED FOR CONTINUOUS APPLICATIONS
- ALSO AVAILABLE AS CORE ONLY WITHOUT FLANGED FRAME
- PAINTED FINISH AVAILABLE IN NATURAL COLOR OR DONCO WHITE. ALSO AVAILABLE WITH MILL FINISH. CONTACT FACTORY FOR CLEAR ANODIZED OR OTHER SPECIAL COLORS AND FINISHES.

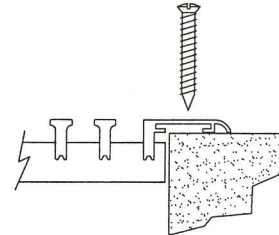
OPTIONS (SPECIFY)

- DUCT LENGTH
- DUCT WIDTH
- PAINTED NATURAL FINISH (STANDARD)
- PAINTED WHITE FINISH
- MILL FINISH
- CLEAR ANODIZED
- SURFACE MOUNT FASTENING
- SCREW FASTENING
- CORE ONLY

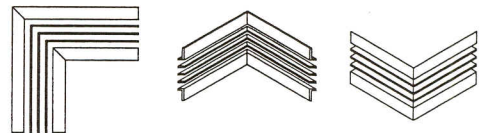
STANDARD INDUSTRY TOLERANCES APPLY. SPECIFICATIONS ARE SUBJECT TO CHANGE WITHOUT NOTICE.



SURFACE MOUNT FASTENING
 WITH CONCEALED MOUNT HARDWARE
 (HEMMED DUCT REQUIRED)



SCREW FASTENING
 COUNTERSUNK HOLES AND SCREWS PROVIDED



MITERED CORNER OPTIONS
 CONTACT FACTORY

JOB NAME: _____
 LOCATION: _____
 ARCHITECT: _____
 ENGINEER: _____
 CONTRACTOR: _____

DBG-300 SERIES BAR GRILLES MODEL DBG-350

DRAWN BY: JLH DATE: 8-30-04 DWG. NO.: DBG-300



RAYMON
 DONCO AIR DISTRIBUTION EQUIPMENT

P.O. BOX 250
 ALBION, IOWA 50005
 PH. (641) 488-2211 FAX (641) 488-2796
 www.raymon-hvac.com