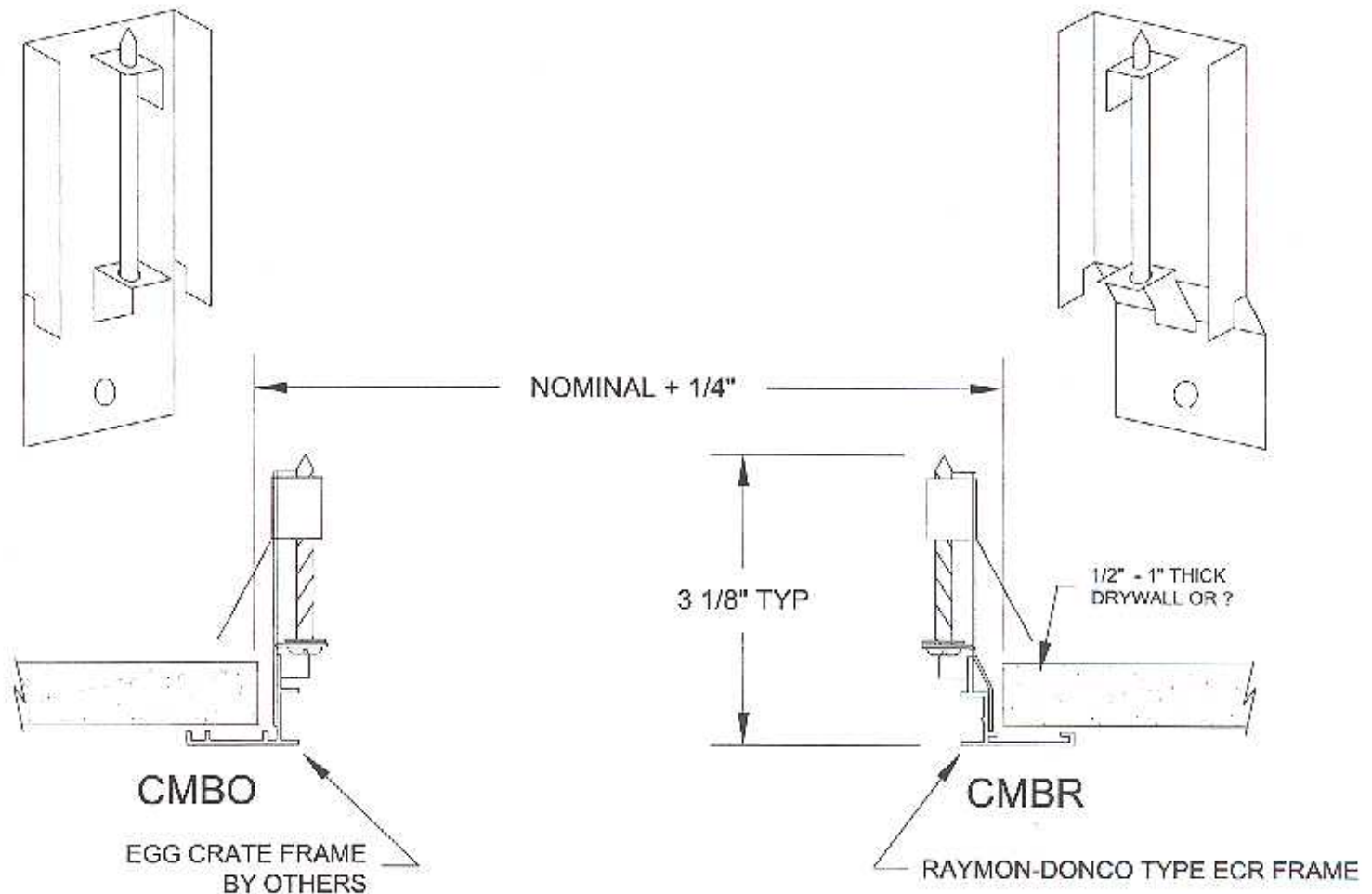


AIR DISTRIBUTION SUBMITTAL



FEATURES

- PROVIDES CONCEALED MOUNTING FOR INSTALLATION OF REGISTERS & GRILLES IN TILE OR PLASTER CEILINGS
- FOR USE IN CEILING MATERIALS RANGING FROM 1/2" TO 1" THICK
- DESIGNED FOR FIELD INSTALLATION WITH (1) SHEET METAL SCREW
- 20 GA. STEEL BRACKET WITH FLAT BLACK POWDER COAT FINISH
- ASSEMBLY INCLUDES SPRING STEEL CLIP, BLACK OXIDE COATED PAN HEAD PHILLIPS SCREW AND NYLON RETAINING WASHER.

OPTIONS (SPECIFY)

- MODEL CMBO - FOR GRILLES BY OTHERS
- MODEL CMBR - FOR RAYMON-DONCO ECR GRILLES

STANDARD INDUSTRY TOLERANCES APPLY. SPECIFICATIONS ARE SUBJECT TO CHANGE WITHOUT NOTICE.

JOB NAME: _____
 LOCATION: _____
 ARCHITECT: _____
 ENGINEER: _____
 CONTRACTOR: _____

TYPE CMB CONCEALED MOUNTING BRACKET

DRAWN BY: JLH DATE: 11-27-06 DWG. NO.: CMB

P.O. BOX 250
 ALBION, IOWA 50005
 PH. (641) 488-2211 FAX (641) 488-2796
 www.raymon-hvac.com



RAYMON
 DONCO AIR DISTRIBUTION EQUIPMENT