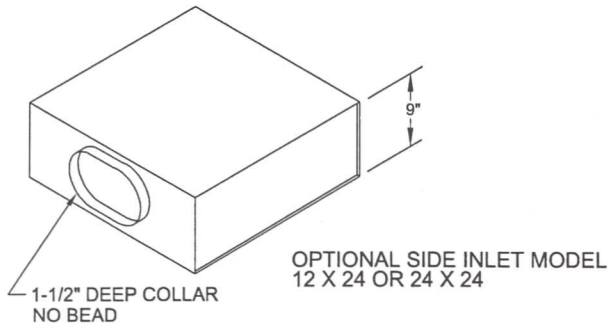
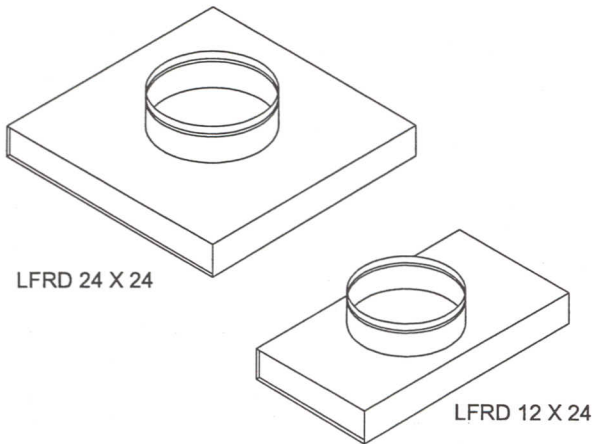
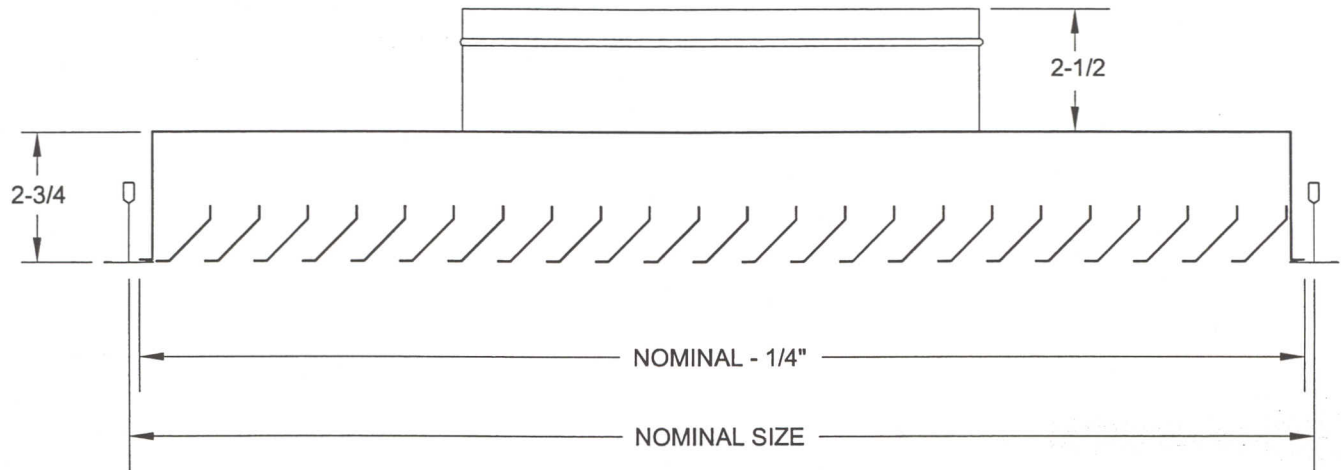


# AIR DISTRIBUTION SUBMITTAL



## FEATURES

- BLADES ARE SPACED AND ANGLED TO REDUCE VISIBILITY THROUGH THE GRILLE.
- COMPLETE GRILLE/PLENUM ASSEMBLY ELIMINATES THE NEED FOR TRANSITIONS.
- MATERIAL IS 24 GAUGE STEEL ON LOUVER FACE AND PLENUM. ALUMINUM LOUVER FACE IS OPTIONAL.
- FINISH IS POWDER COAT WHITE ON FACE. PLENUM BOX IS FLAT BLACK INSIDE.
- COLLAR IS 2.5" DEEP WITH RAISED BEAD FOR SECURE DUCT CONNECTION.

## OPTIONS (SPECIFY)

- LFRD - 24X24 GRILLE & PLENUM ASSEMBLY
- LFRD - 12X24 GRILLE & PLENUM ASSEMBLY
- LFR - 24X24 GRILLE ONLY
- LFR - 12X24 GRILLE ONLY
- SIDE INLET (OPTIONAL)
- COLLAR SIZE (LFRD ONLY) 6, 8, 10, 12, 14, 16

STANDARD INDUSTRY TOLERANCES APPLY. SPECIFICATIONS ARE SUBJECT TO CHANGE WITHOUT NOTICE.

JOB NAME: \_\_\_\_\_  
 LOCATION: \_\_\_\_\_  
 ARCHITECT: \_\_\_\_\_  
 ENGINEER: \_\_\_\_\_  
 CONTRACTOR: \_\_\_\_\_

## MODEL LFR / LFRD LOUVER FACE RETURN

DRAWN BY  
RBJ

DATE  
12-11-06

DWG. NO.  
LFR

P.O. BOX 250  
 ALBION, IOWA 50005  
 PH. (641) 488-2211 FAX (641) 488-2796  
 www.raymon-hvac.com



**RAYMON**  
 DONCO AIR DISTRIBUTION EQUIPMENT