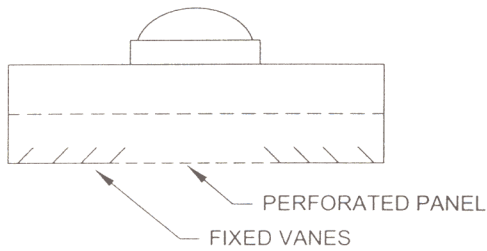
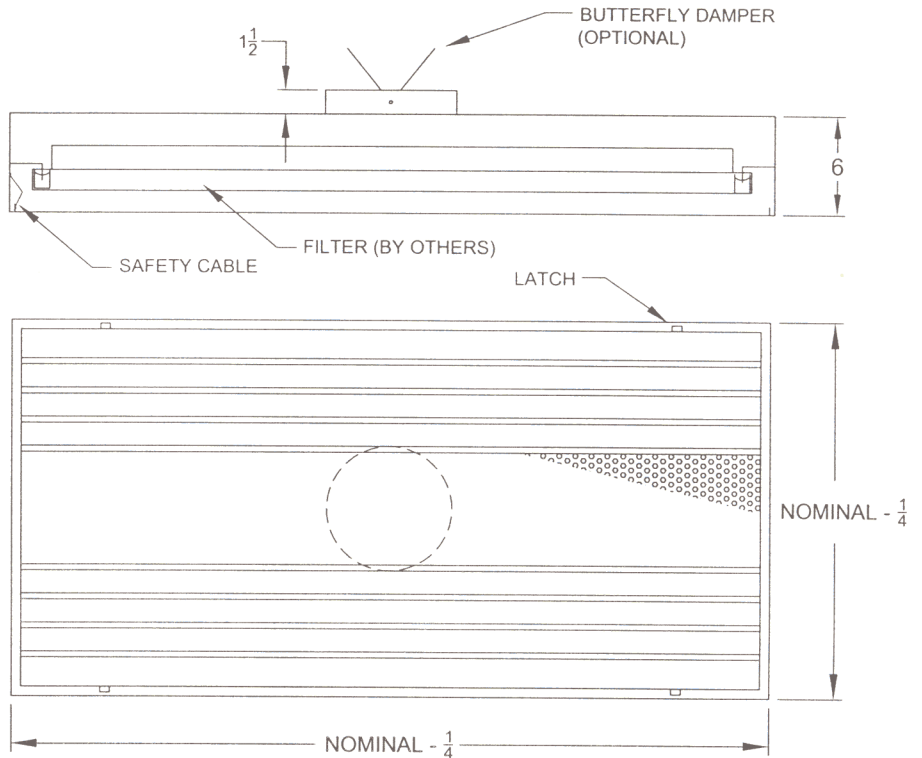
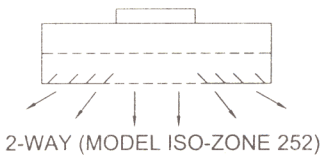
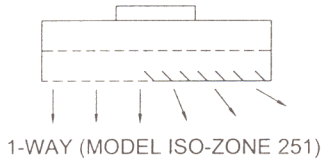


# AIR DISTRIBUTION SUBMITTAL



## FLOW PATTERN OPTIONS



## FEATURES

- DONCO RADIAL FLOW DIFFUSERS ARE ENGINEERED TO CREATE A HEMISPHERICAL PATTERN OF HIGH VOLUME, LOW VELOCITY AIR.
- STANDARD CONSTRUCTION IS 24 GA. STEEL PLENUM AND A 20 GA. STEEL PERFORATED FACE.
- STANDARD FINISH IS BAKED POLYESTER WITH POWDER COATED FACE PANEL. COLOR WHITE
- ROUND INLET SIZE 6 THRU 12 INCH
- PERFORATED FACE IS REMOVABLE WITHOUT TOOLS FOR CLEANING.
- SAFETY CABLES PREVENT ACCIDENTAL DROPPING OF THE FACE DURING REMOVAL.
- THE STANDARD DIFFUSER IS DESIGNED FOR 15/16 TEE GRID LAY IN INSTALLATIONS. DIFFUSERS ARE AVAILABLE FOR WIDER TEE APPLICATIONS. CONTACT FACTORY WITH SPECIFIC REQUIREMENTS.
- DIFFUSER IS CONSTRUCTED TO ACCEPT HIGH EFFICIENCY AIR FILTERS.

## OPTIONS (SPECIFY)

- \_\_\_ SIZE (24 x 48, 24 x 24, 12 x 48)
- \_\_\_ INLET SIZE
- VOLUME DAMPER
- SURFACE MOUNT FRAME
- 251 - 1 WAY
- 252 - 2 WAY

CONTACT FACTORY FOR ALUMINUM OR STAINLESS STEEL APPLICATIONS.

ISO-ZONE 250 Series performance data varies depending upon which efficiency filter is installed in the diffuser. See filter manufacturers data for pressure drop and flow rate information.

Filter recommendations are available from Donco. A list of filter designations for various manufacturer's is included with each diffuser. All filters must have the following features:

1. Reverse gel seal construction
2. 2" pack filter material
3. An anodized aluminum frame

STANDARD INDUSTRY TOLERANCES APPLY. SPECIFICATIONS ARE SUBJECT TO CHANGE WITHOUT NOTICE.

JOB NAME: \_\_\_\_\_  
 LOCATION: \_\_\_\_\_  
 ARCHITECT: \_\_\_\_\_  
 ENGINEER: \_\_\_\_\_  
 CONTRACTOR: \_\_\_\_\_

## ISO-ZONE™ 250 SERIES RADIAL FLOW FILTER READY CRITICAL ENVIRONMENT DIFFUSER

DRAWN BY: JLH      DATE: 12-16-02      DWG. NO.: IZ-250

P.O. BOX 250  
 ALBION, IOWA 50005  
 PH. (641) 488-2211 FAX (641) 488-2796



**DONCO**  
 AIR PRODUCTS