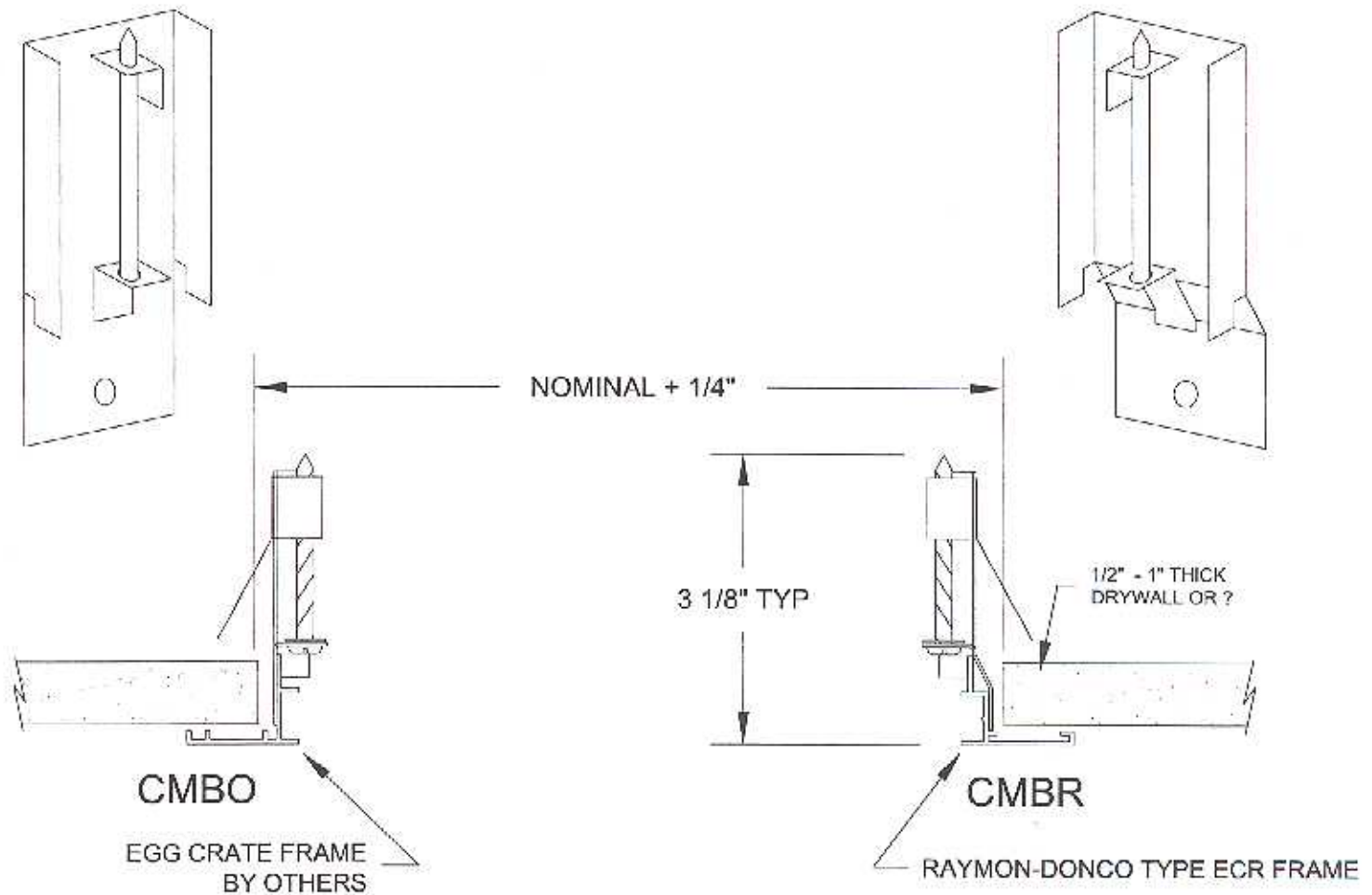


# AIR DISTRIBUTION SUBMITTAL



## FEATURES

- PROVIDES CONCEALED MOUNTING FOR INSTALLATION OF REGISTERS & GRILLES IN TILE OR PLASTER CEILINGS
- FOR USE IN CEILING MATERIALS RANGING FROM 1/2" TO 1" THICK
- DESIGNED FOR FIELD INSTALLATION WITH (1) SHEET METAL SCREW
- 20 GA. STEEL BRACKET WITH FLAT BLACK POWDER COAT FINISH
- ASSEMBLY INCLUDES SPRING STEEL CLIP, BLACK OXIDE COATED PAN HEAD PHILLIPS SCREW AND NYLON RETAINING WASHER.

## OPTIONS (SPECIFY)

- MODEL CMBO - FOR GRILLES BY OTHERS
- MODEL CMBR - FOR RAYMON-DONCO ECR GRILLES

STANDARD INDUSTRY TOLERANCES APPLY. SPECIFICATIONS ARE SUBJECT TO CHANGE WITHOUT NOTICE.

JOB NAME: \_\_\_\_\_  
 LOCATION: \_\_\_\_\_  
 ARCHITECT: \_\_\_\_\_  
 ENGINEER: \_\_\_\_\_  
 CONTRACTOR: \_\_\_\_\_

## TYPE CMB CONCEALED MOUNTING BRACKET

DRAWN BY: JLH      DATE: 11-27-06      DWG. NO.: CMB

P.O. BOX 250  
 ALBION, IOWA 50005  
 PH. (641) 488-2211 FAX (641) 488-2796  
 www.raymon-hvac.com



**RAYMON**  
 DONCO AIR DISTRIBUTION EQUIPMENT