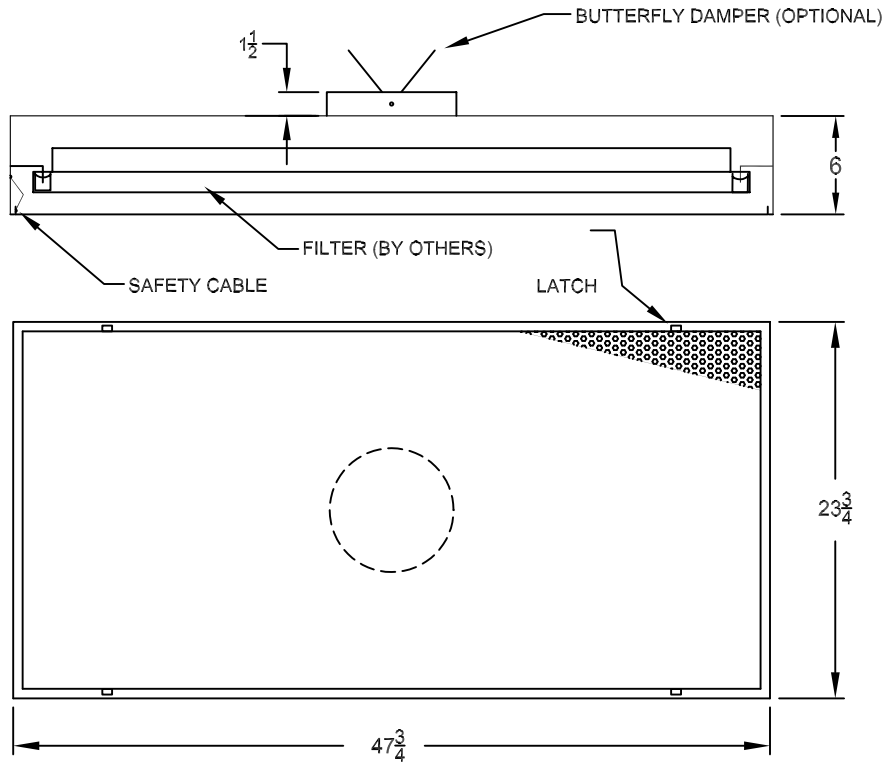


AIR DISTRIBUTION SUBMITTAL



FEATURES

- DONCO LAMINAR FLOW DIFFUSERS ARE ENGINEERED TO CREATE A UNIFORM DOWNWARD MOVING PISTON OF CONTROLLED LOW VELOCITY AIR. THE ISO-ZONE™ ALLOWS MINIMAL ENTRAINMENT OF RESIDUAL ROOM AIR INTO THE AIR COLUMN.
- STANDARD CONSTRUCTION IS .24 GA. STEEL PLENUM AND A 20 GA. STEEL PERFORATED FACE.
- STANDARD FINISH IS BAKED POLYESTER WITH POWDER COATED FACE PANEL. COLOR WHITE
- ROUND INLET SIZE 6 THRU 12 INCH
- PERFORATED FACE IS REMOVABLE FOR CLEANING WITHOUT TOOLS.
- SAFETY CABLES PREVENT ACCIDENTAL DROPPING OF THE FACE DURING REMOVAL.
- THE STANDARD DIFFUSER IS DESIGNED FOR 15/16 TEE GRID LAY-IN INSTALLATIONS. DIFFUSERS ARE AVAILABLE FOR WIDER TEE APPLICATIONS. CONTACT FACTORY WITH SPECIFIC REQUIREMENTS.
- DIFFUSER IS CONSTRUCTED TO ACCEPT HIGH EFFECIENCY AIR FILTERS.

OPTIONS (SPECIFY)

- ___ SIZE (2 X4 STANDARD, 2 X 2 OPTIONAL)
- ___ INLET SIZE
- VOLUME DAMPER
- SURFACE MOUNT FRAME

CONTACT FACTORY FOR ALUMINUM OR STAINLESS STEEL APPLICATIONS.

ISO-ZONE 150 Series performance data varies depending upon which efficiency filter is installed in the diffuser. See filter manufacturers data for pressure drop and flow rate information.

Filter recommendations are available from Donco. A list of filter designations for various manufacturer's is included with each diffuser. All filters must have the following features:

1. Reverse gel seal construction
2. 2" pack filter material
3. An anodized aluminum frame

STANDARD INDUSTRY TOLERANCES APPLY. SPECIFICATIONS ARE SUBJECT TO CHANGE WITHOUT NOTICE.

JOB NAME: _____
 LOCATION: _____
 ARCHITECT: _____
 ENGINEER: _____
 CONTRACTOR: _____

ISO-ZONE™ 150 SERIES FILTER READY CRITICAL ENVIRONMENT DIFFUSER

DRAWN BY
JLH

DATE
6-12-02

DWG. NO.
IZ-150

P.O. BOX 250
 ALBION, IOWA 50005
 PH. (641) 488-2211 FAX (641) 488-2796
 www.raymon-hvac.com



RAYMON
 DONCO AIR DISTRIBUTION EQUIPMENT