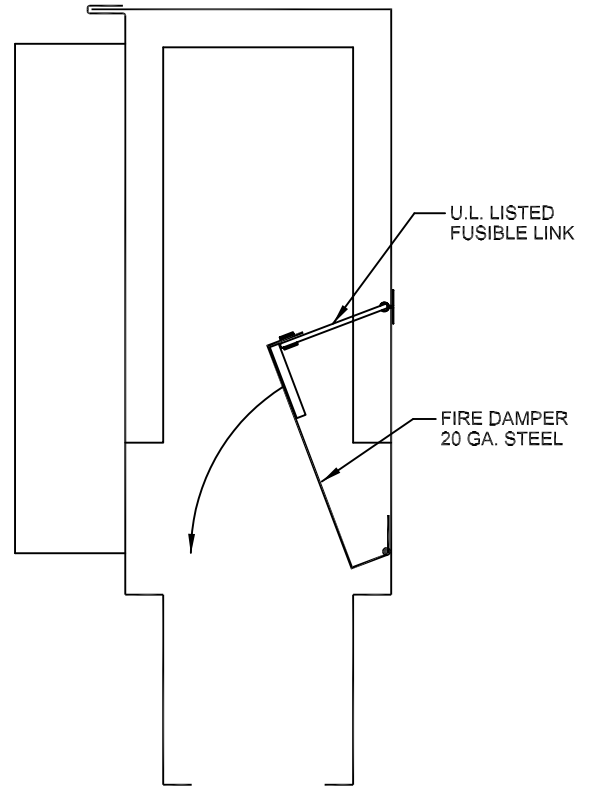
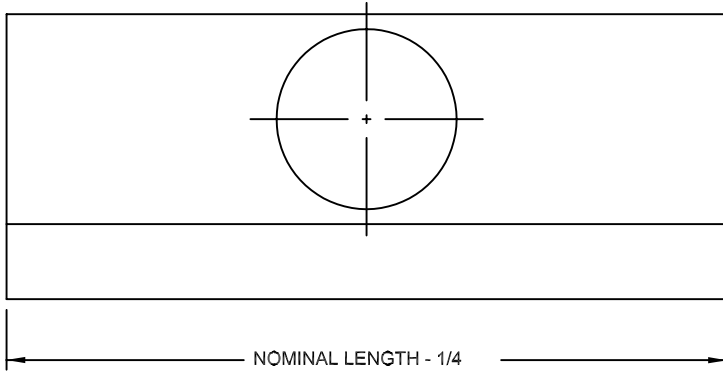


# AIR DISTRIBUTION SUBMITTAL

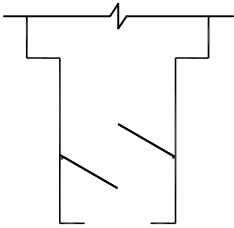


Donco Fire Damper Diffusers are available in many pattern control configurations and are designed for use with a wide variety of suspended ceilings. Each unit includes a damper blade held in the open position by a fusible link designed to melt at 212 °F.

For available widths, lengths, and other options refer to submittal of specific diffuser series or contact factory. Detail compatibility drawings for specific job requirements are available on request. When ordering specify SFD (Slot Fire Damper) at the end of the product number.

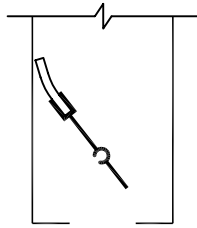
## PATTERN CONTROL CONFIGURATIONS

**M-SERIES**  
ADJUSTABLE VANE DIFFUSER



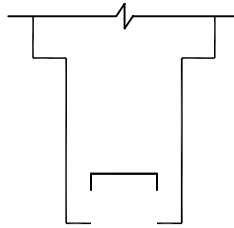
- LEFT, RIGHT OR VERTICAL THROW
- DAMPERING

**DCD SERIES**  
ADJUSTABLE VANE DIFFUSER



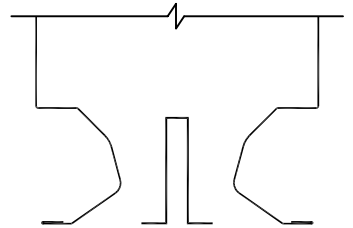
- LEFT, RIGHT OR VERTICAL THROW

**2000 SERIES**  
SLIDING AIR BAR DIFFUSER



- LEFT, RIGHT OR VERTICAL THROW

**J-SERIES**  
FIXED VANE DIFFUSER



- FIXED AIR PATTERN

STANDARD INDUSTRY TOLERANCES APPLY. SPECIFICATIONS ARE SUBJECT TO CHANGE WITHOUT NOTICE.

JOB NAME: \_\_\_\_\_  
 LOCATION: \_\_\_\_\_  
 ARCHITECT: \_\_\_\_\_  
 ENGINEER: \_\_\_\_\_  
 CONTRACTOR: \_\_\_\_\_

## FUSIBLE LINK FIRE DAMPER DIFFUSERS

DRAWN BY  
MTV

DATE  
3-21-89

DWG. NO.  
FD

P.O. BOX 250  
 ALBION, IOWA 50005  
 PH. (641) 488-2211 FAX (641) 488-2796  
 www.raymon-hvac.com



**RAYMON**  
 DONCO AIR DISTRIBUTION EQUIPMENT